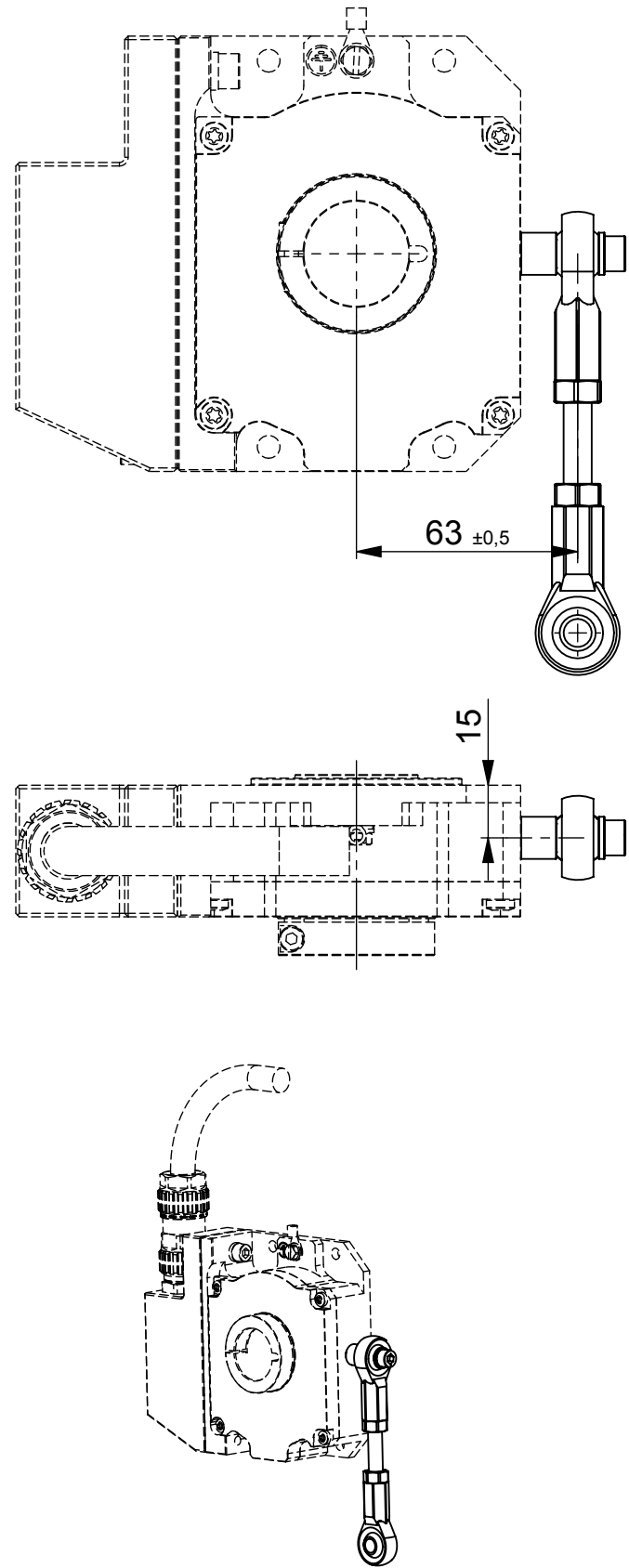
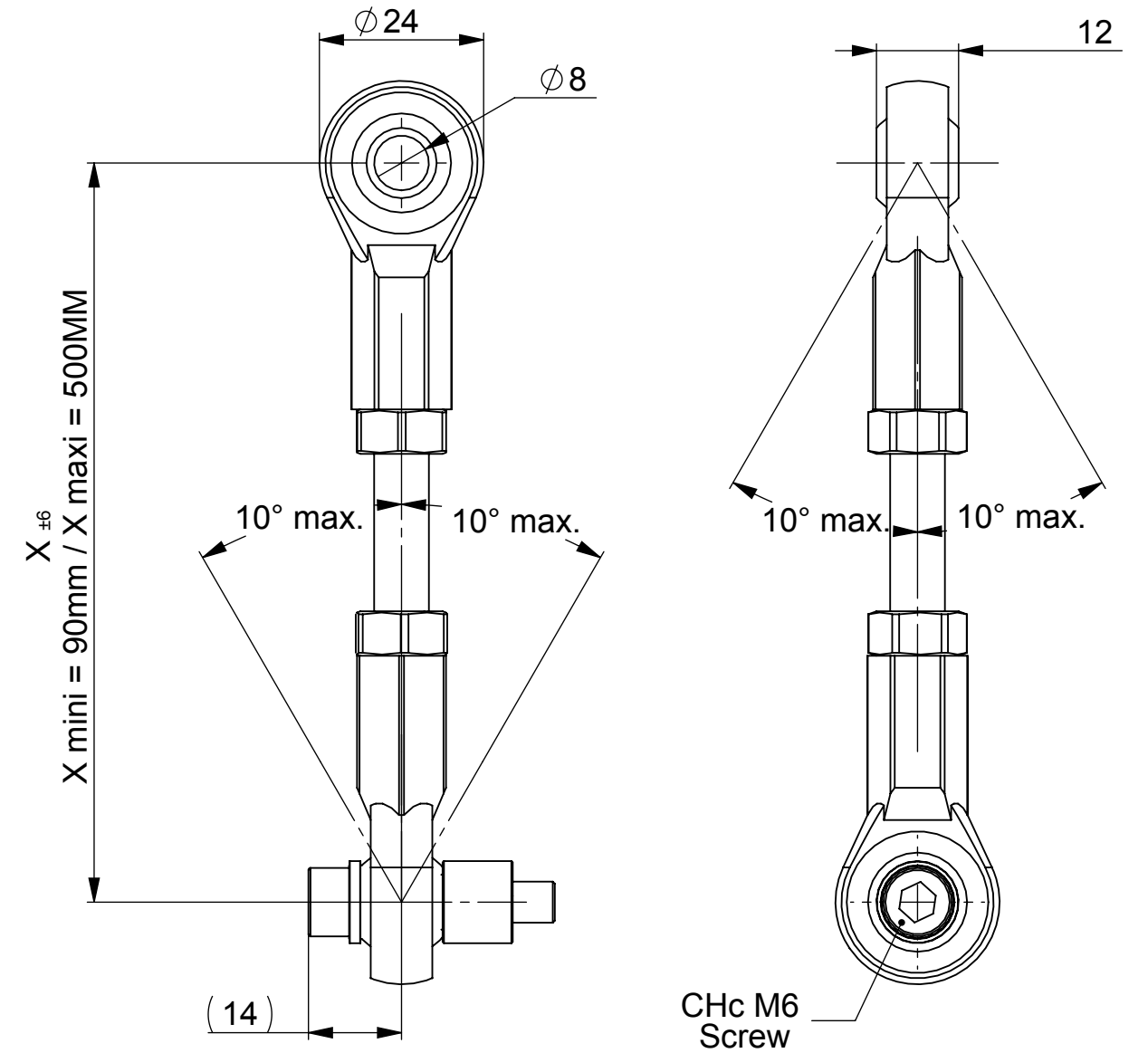
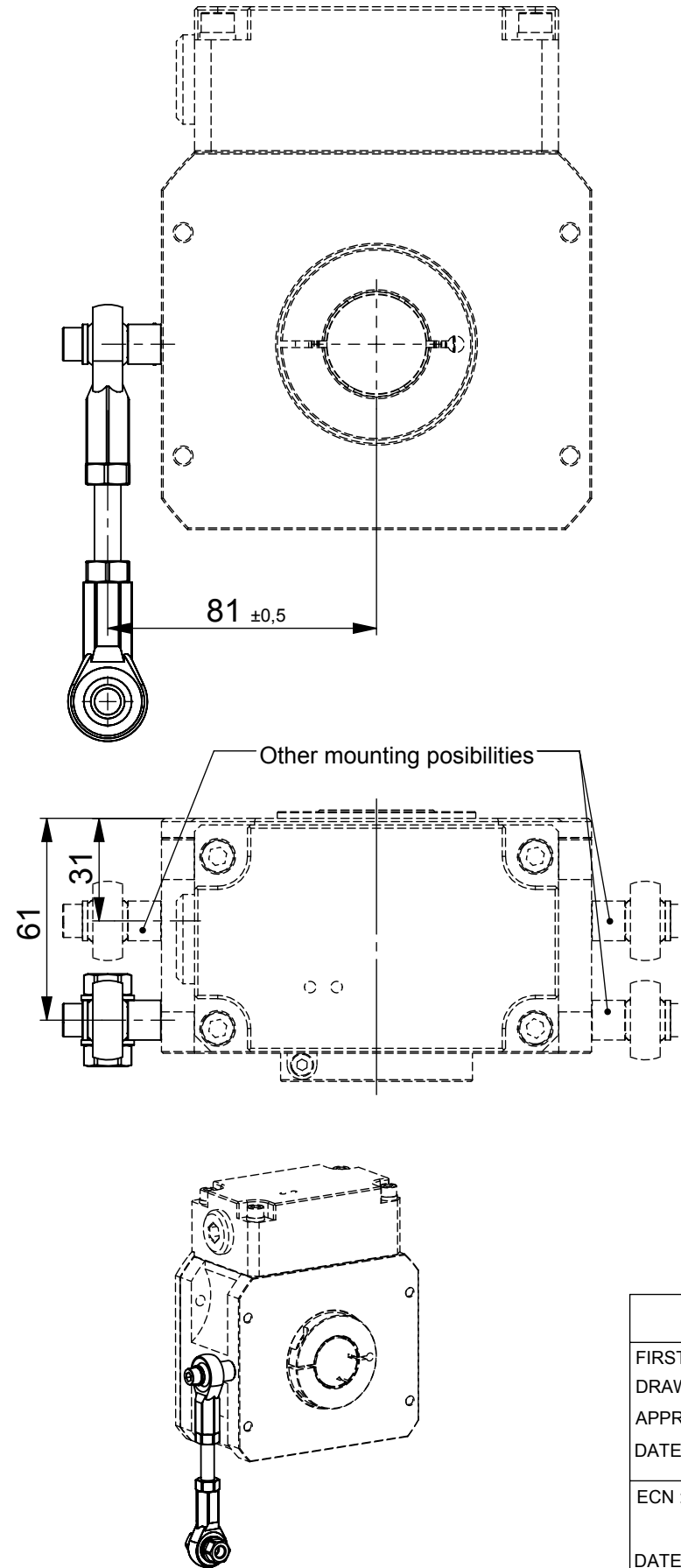



M9230-03/xxx mounting exemple on HHUX



M9230-03/xxx mounting exemple on MAUX



Ordering reference: **M9230-03/xxx**  
with xxx length X in millimeter

<b>UNCONTROLLED COPY</b>		 BEI SENSORS SAS Espace Européen de l'Entreprise 9, rue de Copenhague BP 70044 - F 67013 STRASBOURG Cedex Tel : +33 (0)3 88 20 81 40	
FIRST ISSUE DATE : 31/05/2018	SENSATA TECHNOLOGIES PROPRIETARY AND CONFIDENTIAL. NEITHER THIS PRINT NOR THE INFORMATION CONTAINED HEREON IS TO BE USED AGAINST THE INTERESTS OF SENSATA TECHNOLOGIES OR AGAINST THE INTERESTS OF ANY OF ITS AFFILIATED COMPANIES OR WHOLLY OWNED SUBSIDIARIES.	TITLE <b>M9230-03/xxx Ball Link tether arm</b>	
DRAWN : RHM		SIZE A3	DWG NO. <b>M035</b>
APPROVED : JHH		SCALE 1/1	SOLIDWORKS
DATE : 31/05/2018	UNLESS OTHERWISE SPECIFIED DIMENSIONS ARE IN MILLIMETERS (INCHES) AND ARE INTENDED AS NOMINAL. SEE PRODUCT SPECIFICATION FOR MORE DETAILS.	SHEET 1 OF 1	
Housing material :	DO NOT SCALE DRAWING	EUROPEAN SYSTEM	
Flange material :			
Shaft material :			