

4

3

2

1

D

D

C

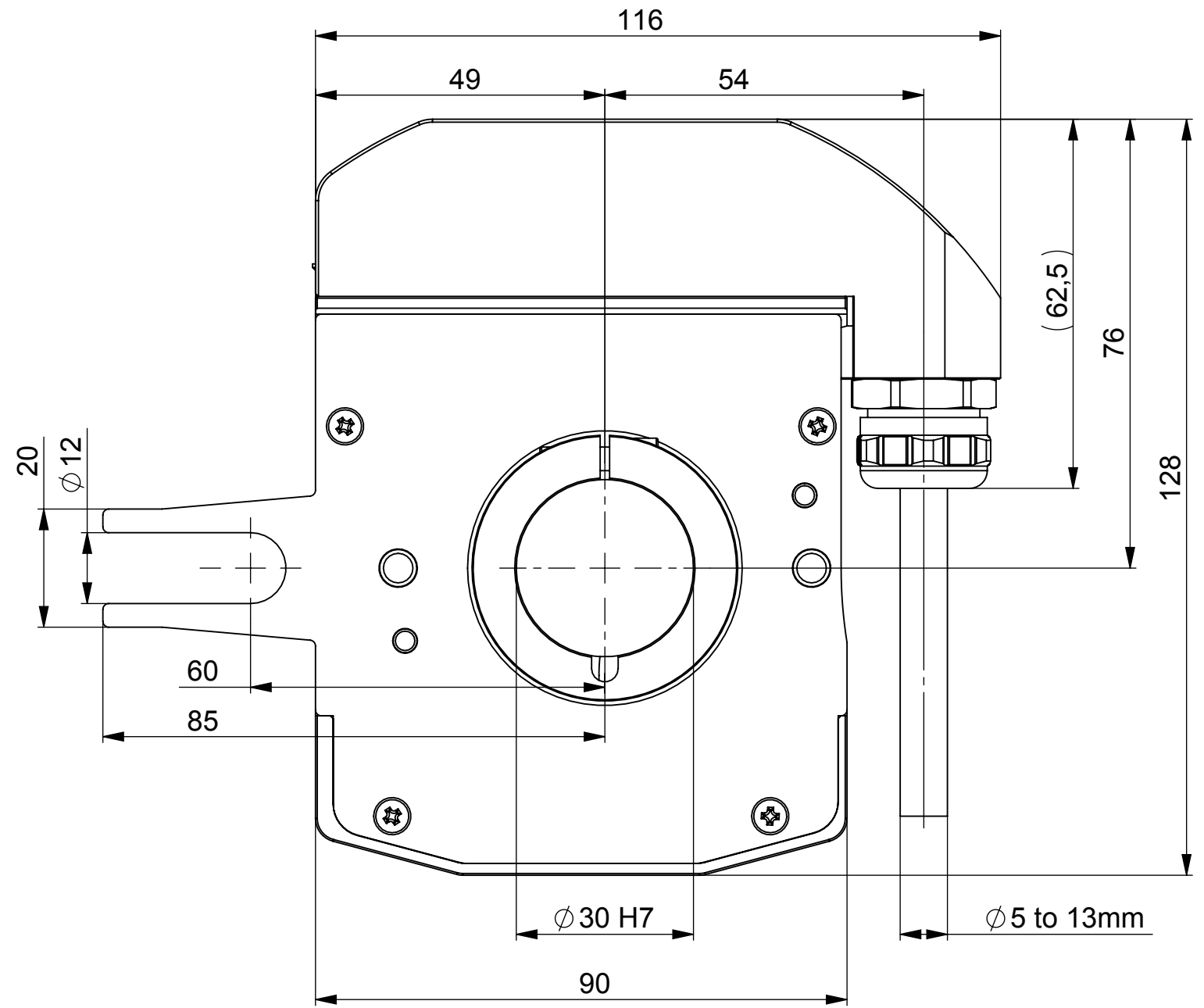
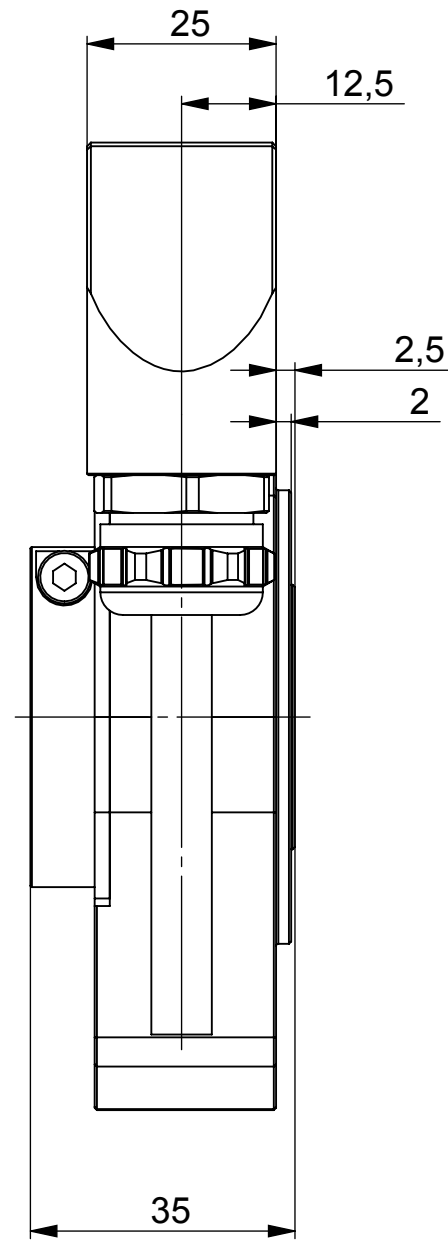
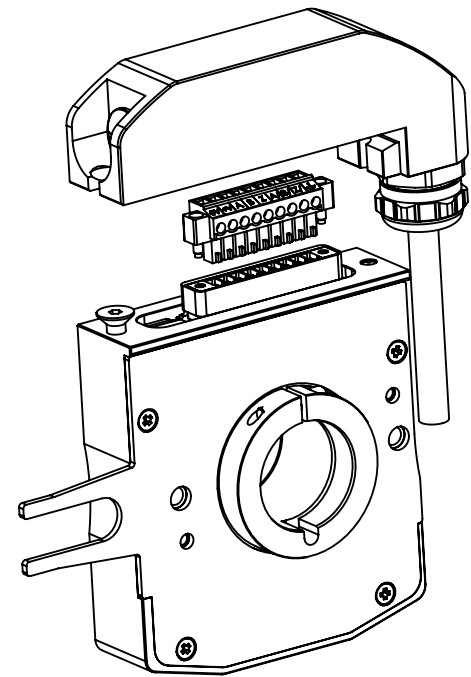
C

B

B

A

A



UNCONTROLLED COPY

FIRST ISSUE DATE : 13/06/2018
 DRAWN : RHM
 APPROVED : JHH
 DATE : 13/06/2018

SENSATA TECHNOLOGIES PROPRIETARY AND CONFIDENTIAL. NEITHER THIS PRINT NOR THE INFORMATION CONTAINED HEREON IS TO BE USED AGAINST THE INTERESTS OF SENSATA TECHNOLOGIES OR AGAINST THE INTERESTS OF ANY OF ITS AFFILIATED COMPANIES OR WHOLLY OWNED SUBSIDIARIES.



BEI SENSORS SAS
 Espace Européen de l'Entreprise
 9, rue de Copenhague
 BP 70044 - F 67013 STRASBOURG Cedex
 Tel : +33 (0)3 88 20 81 40

BEI Sensors

ECN :
 DATE :

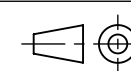
UNLESS OTHERWISE SPECIFIED DIMENSIONS ARE IN MILLIMETERS (INCHES) AND ARE INTENDED AS NOMINAL. SEE PRODUCT SPECIFICATION FOR MORE DETAILS.

TITLE
HHUB30//GXR

Housing material : Aluminum
 Flange material : Aluminum
 Shaft material : Stainless Steel

DO NOT SCALE DRAWING

EUROPEAN SYSTEM



SIZE A3	DWG NO. M041	REV. A
------------	------------------------	-----------

SCALE 1/1	SOLIDWORKS	SHEET 1 OF 1
--------------	------------	--------------

4

3

2

1

DEVICE:

PROJECT: