

4

3

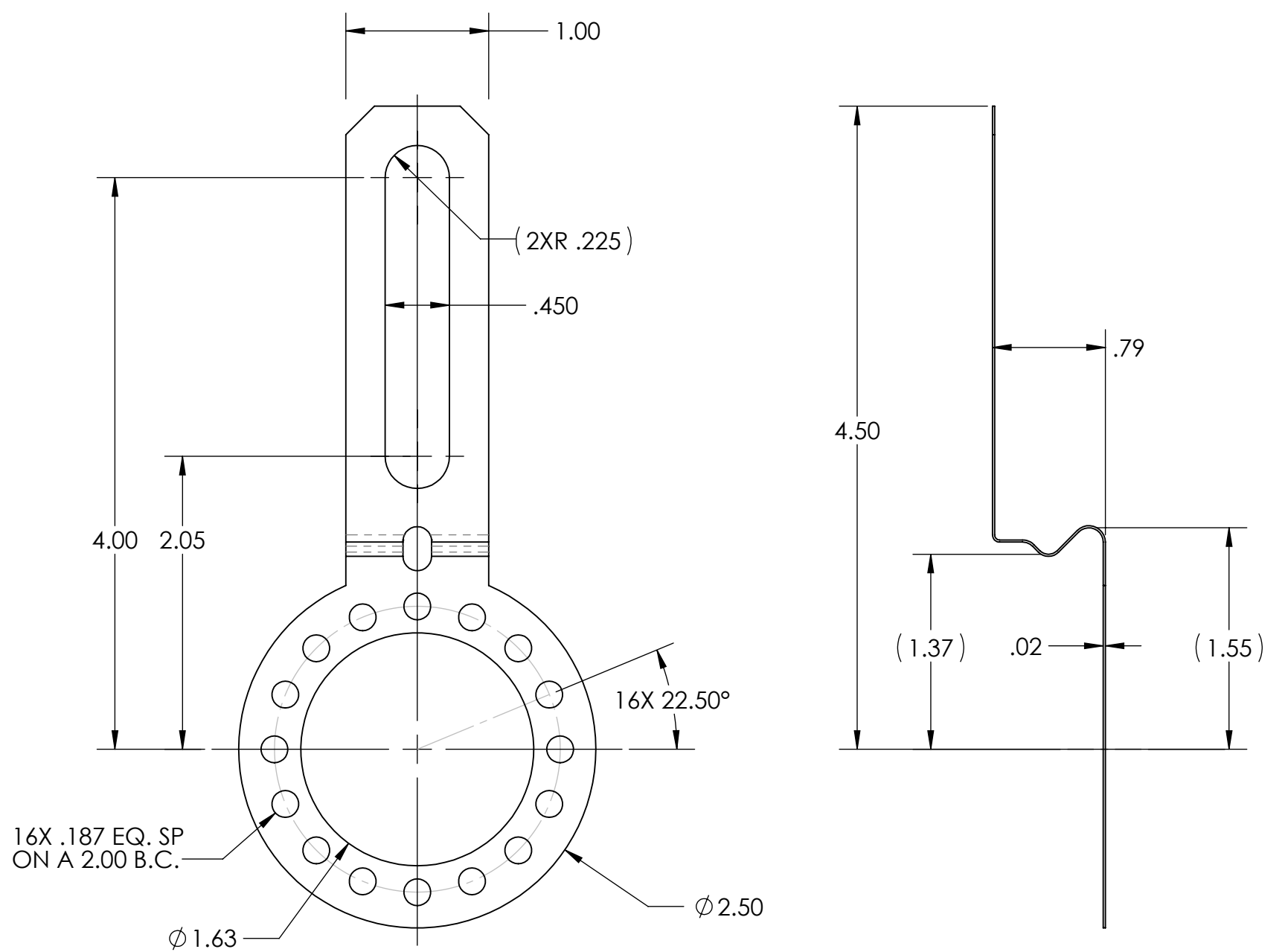
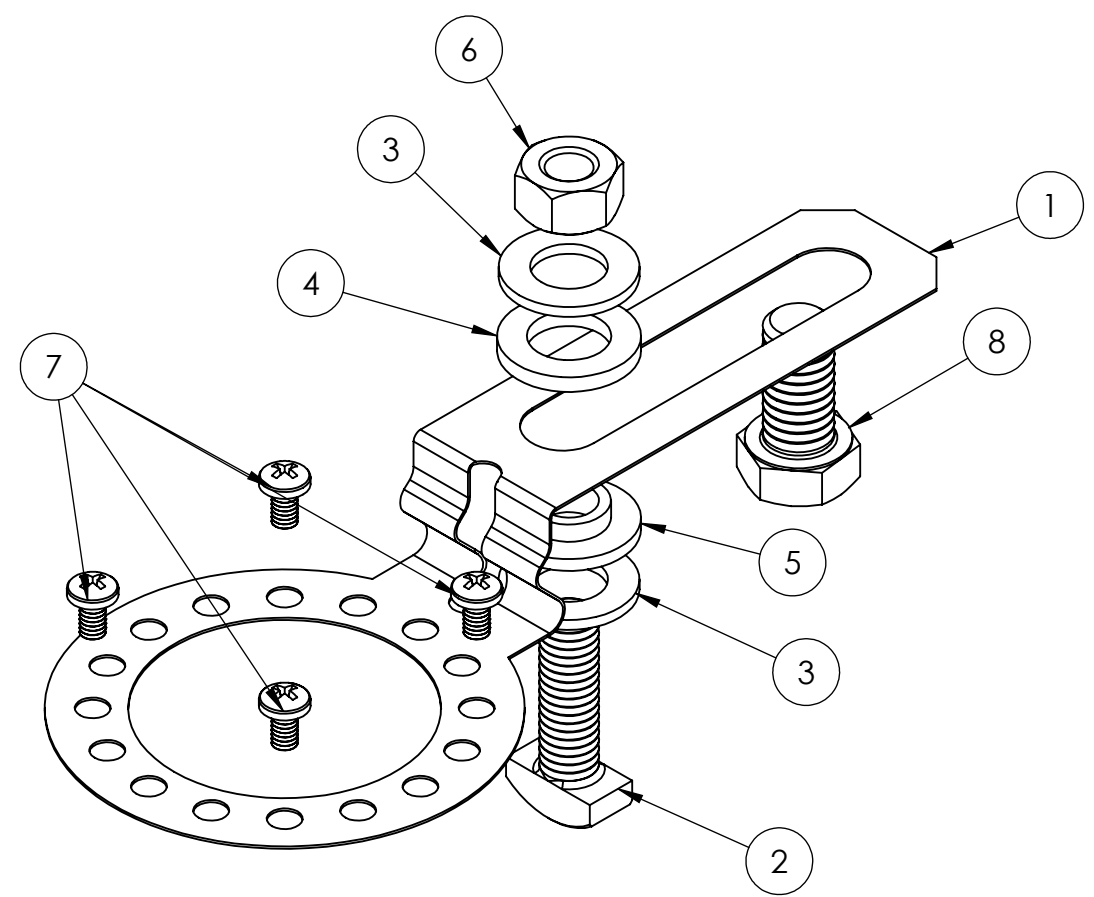
2

1


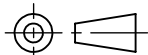
ITEM NO.	PART NO.	DESCRIPTION	QTY
1	38360-003	TETHER ARM	1
2	33029-002	T-BOLT, ZINC PLATE	1
3	MS15795-813	5/16 FLAT WASHER	2
4	25031-001	NYLON FLAT WASHER	1
5	25030-006	NYLON SHOULDER-WASHER	1
6	MS35690-510	5/16-18UNC HEX NUT	1
7	330PP-6321/4L	6-32X1/4 PAN-HEAD SCREW	4
8	330HHCS5/1611/4	5/16 HEX HEAD CAP SCREW	1

ZONE	REV.	REVISION DESCRIPTION	ECN NO.	DATE

P/N 31215-002



ORDER P/N 31215-002
 NOTE: THE TETHER ARM, NYLON WASHERS, FLAT WASHERS AND THREE #6-32 SCREWS WILL BE USED IN ALL INSTALLATIONS. EITHER THE T-BOLT OR THE HEX HEAD BOLT WILL BE USED WITH OR WITHOUT THE HEX NUT DEPENDING UPON THE INSTALLATION REQUIREMENTS.

UNCONTROLLED COPY		 BEI SENSORS 1461 LAWRENCE DRIVE THOUSAND OAKS, CA 93120	
FIRST ISSUE DATE: 04/19/19	DRAWN: DRC	TITLE HS25 R2 TETHER ARM KIT	
APPROVED: MFB	DATE: 04/19/19		
ECN:	DATE:	SIZE DWG NO. REV. B 09917-001 .	
MATERIAL: CRES STEEL; NYLON (INSULATOR WASHERS); HALF HARD 300 SERIES STAINLESS STEEL (TETHER ARM)	DO NOT SCALE DRAWING		
THIRD ANGLE PROJECTION 		SCALE 1:1	SOLIDWORKS
PROJECT:		SHEET 1 OF 1	

4

3

2

1