

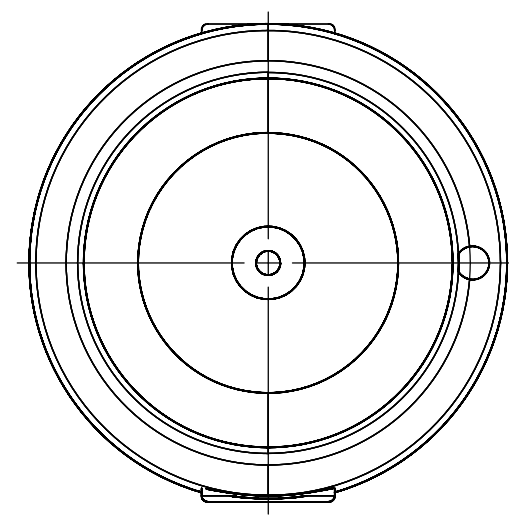
4

3

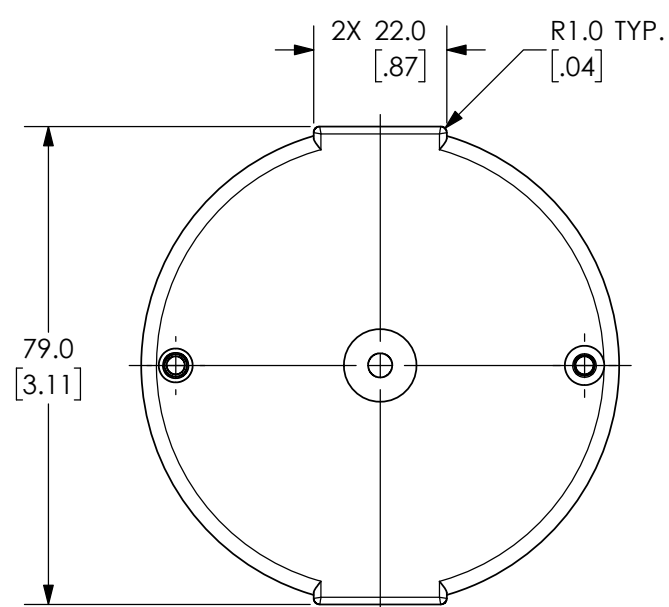
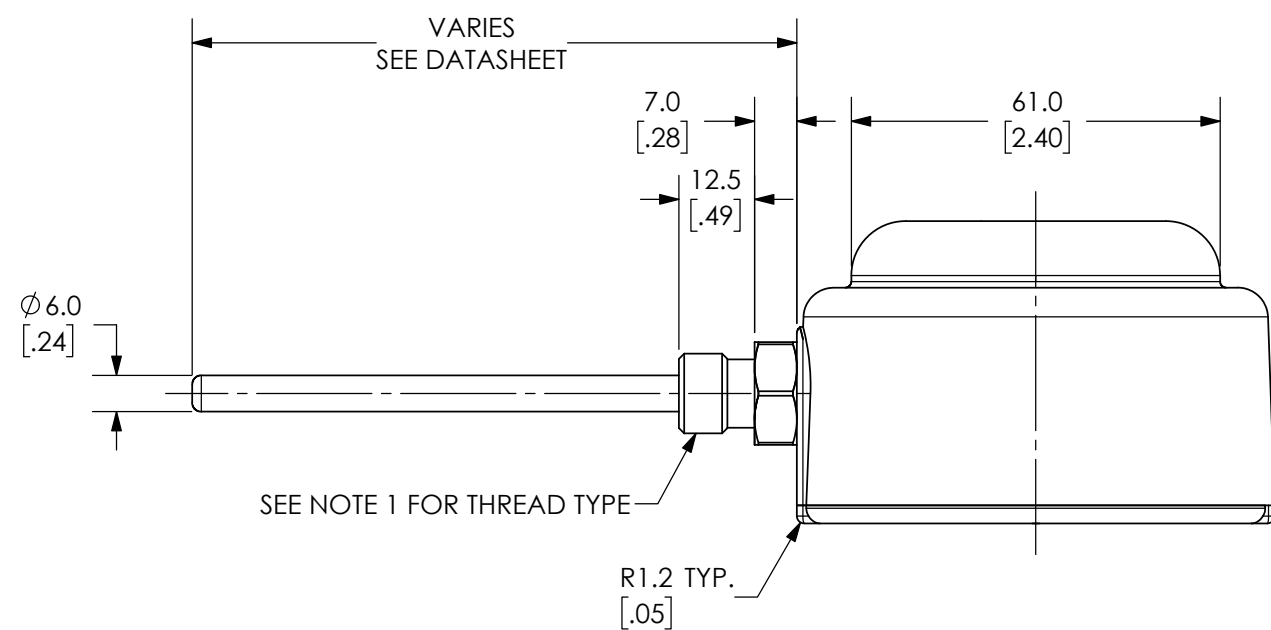
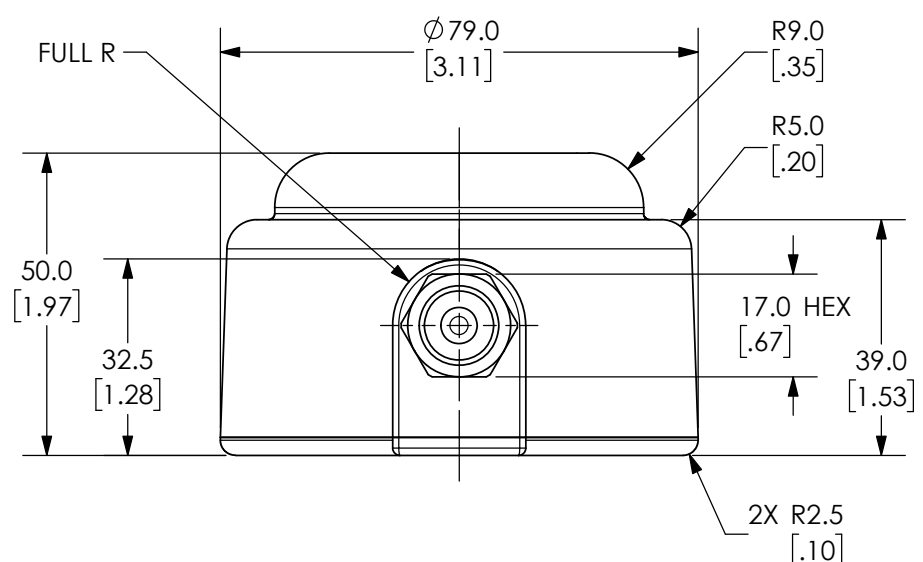
2

1

ZONE	REV.	REVISION DESCRIPTION	ECN NO.	DATE
	B	ADDED NOTE 1; ADDED PROBE GEOMETRY AND DIMENSIONS TO FRONT AND RIGHT VIEWS; ADDED TOP AND BOTTOM VIEW LABELS; TB	ECO-477230	19-JAN-2022



TOP VIEW SHOWN WITH PROBE OMITTED



BOTTOM VIEW SHOWN WITH PROBE OMITTED

NOTES:

1. THE PART NUMBER MAY CONTAIN ADDITIONAL CHARACTERS AS DEFINED BELOW:

IWTT


[NO CHARACTER]	1/4" BSP THREAD
<b>U</b>	1/4" NPT THREAD

EXAMPLE PART NUMBERS:  
IWTT  
IWTTU

DIMENSIONS ARE IN MILLIMETERS [INCHES]

FOR REFERENCE ONLY, CHECK LATEST REVISION BEFORE USE. PARTS MADE TO THIS PRINT MUST CONFORM TO E9898 REV. E.

DRAWN T. BREITENBACH DATE 19-MAY-2021	SENSATA TECHNOLOGIES PROPRIETARY AND CONFIDENTIAL. NEITHER THIS PRINT NOR THE INFORMATION CONTAINED HEREON IS TO BE USED AGAINST THE INTERESTS OF SENSATA TECHNOLOGIES OR AGAINST THE INTERESTS OF ANY OF ITS AFFILIATED COMPANIES OR WHOLLY OWNED SUBSIDIARIES.
ENGINEER MARTIN SIME DATE 19-MAY-2021	
APPROVED	INTERPRET DIMENSIONING AND TOLERANCING PER ASME Y14.5-2009. UNLESS OTHERWISE SPECIFIED DIMENSIONS ARE IN MILLIMETERS. TOLERANCES
DATE	DECIMALS                      ANGLES +0.5/-0.3                      ±0.2°
APPROVED	DO NOT SCALE DRAWING
DATE	THIRD ANGLE PROJECTION



529 PLEASANT STREET  
P.O. BOX 2964  
ATTLEBORO, MA 02703

TITLE <b>INDUSTRIAL WIRELESS TEMP TRANSMITTER ENVELOPE DRAWING</b>		
SIZE <b>A3</b>	DWG NO. <b>IWTT-ENV</b>	REV. <b>B</b>
SCALE	NTS	SOLIDWORKS
SHEET 1 OF 1		

4

3

2

1

DEVICE:

PROJECT: