

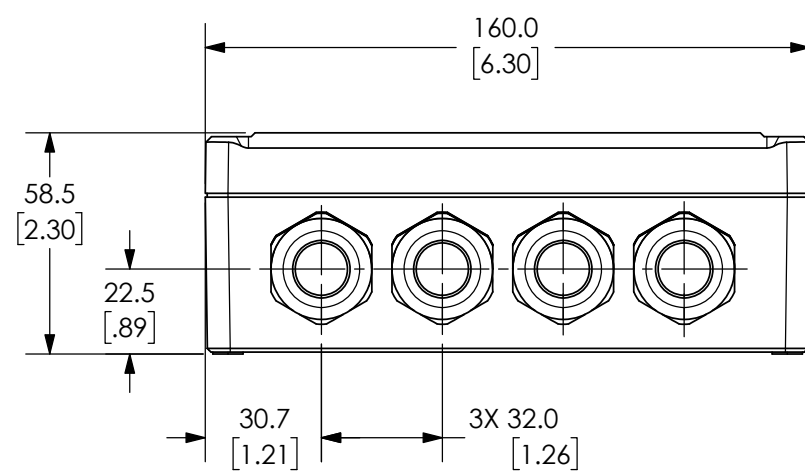
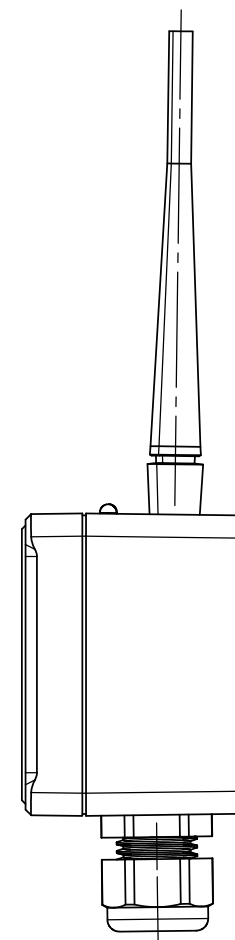
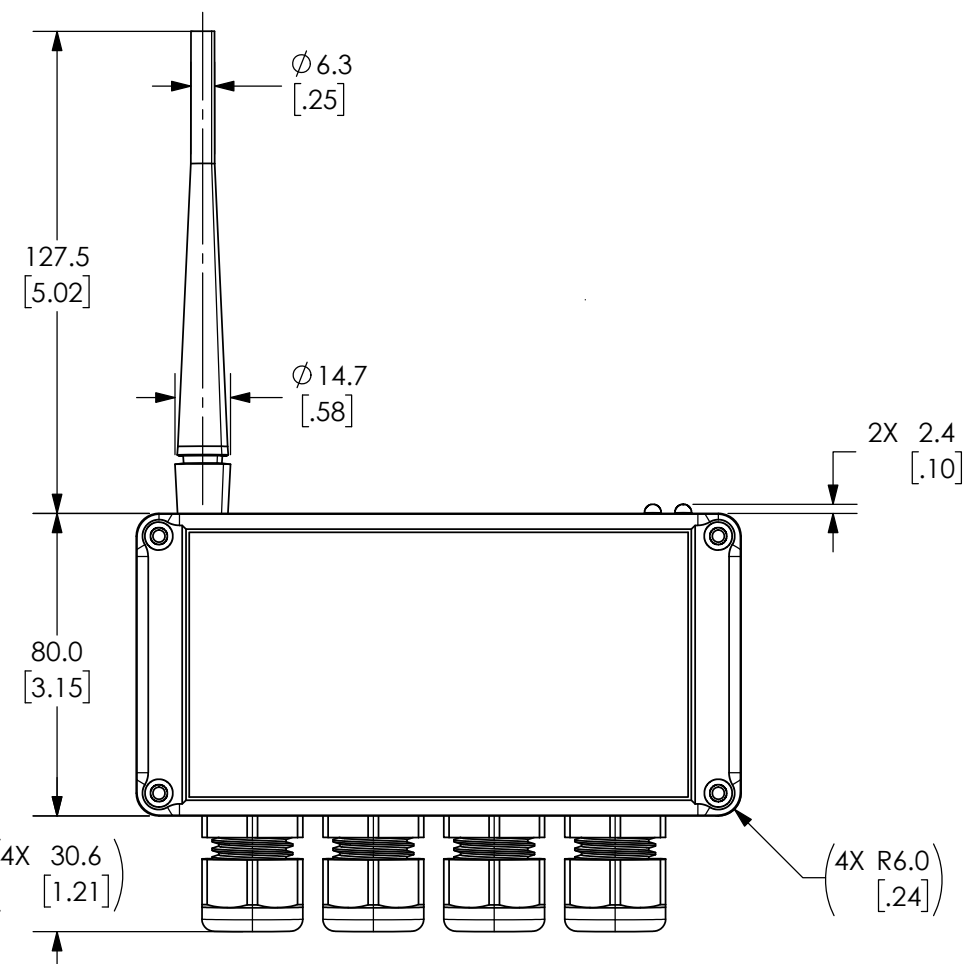
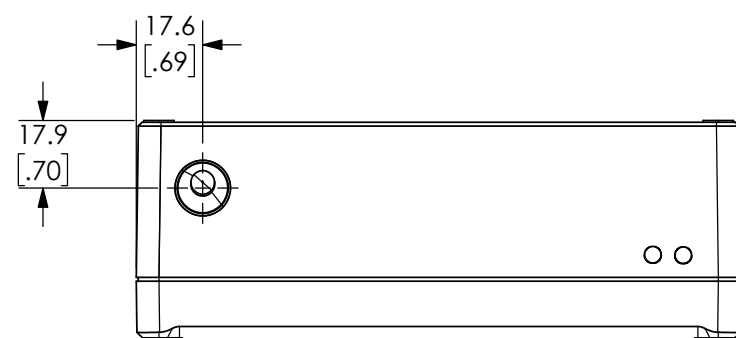
4

3

2

1

ZONE	REV.	REVISION DESCRIPTION	ECN NO.	DATE
	A	INITIAL RELEASE FOR PRODUCTION; TB	ECO-432691	19-MAY-2021



DIMENSIONS ARE IN MILLIMETERS [INCHES]

FOR REFERENCE ONLY, CHECK LATEST REVISION BEFORE USE.
PARTS MADE TO THIS PRINT MUST CONFORM TO E9898 REV. E.

DRAWN T. BREITENBACH	SENSATA TECHNOLOGIES PROPRIETARY AND CONFIDENTIAL. NEITHER THIS PRINT NOR THE INFORMATION CONTAINED HEREON IS TO BE USED AGAINST THE INTERESTS OF SENSATA TECHNOLOGIES OR AGAINST THE INTERESTS OF ANY OF ITS AFFILIATED COMPANIES OR WHOLLY OWNED SUBSIDIARIES.
DATE 19-MAY-2021	
ENGINEER MARTIN SIME	INTERPRET DIMENSIONING AND TOLERANCING PER ASME Y14.5-2009. UNLESS OTHERWISE SPECIFIED DIMENSIONS ARE IN MILLIMETERS. TOLERANCES DECIMALS ANGLES +0.5/-0.3 ±0.2°
DATE 19-MAY-2021	
APPROVED	DO NOT SCALE DRAWING
DATE	
APPROVED	THIRD ANGLE PROJECTION
DATE	



529 PLEASANT STREET
P.O. BOX 2964
ATTLEBORO, MA 02703

TITLE INDUSTRIAL WIRELESS RECEIVER ENVELOPE DRAWING		
SIZE A3	DWG NO. IWR-5-ENV	REV. A
SCALE NTS	SOLIDWORKS	SHEET 1 OF 1

4

3

2

1

DEVICE:

PROJECT: