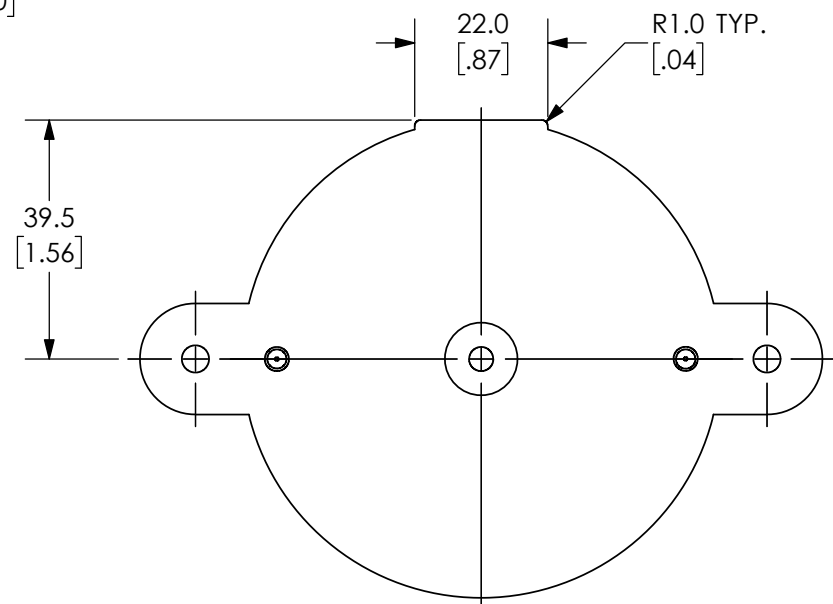
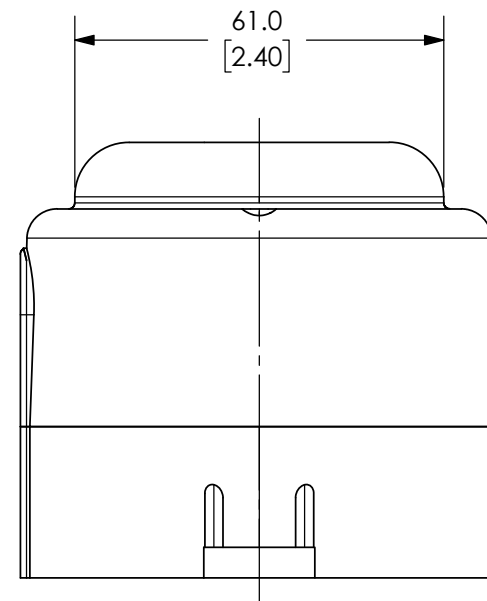
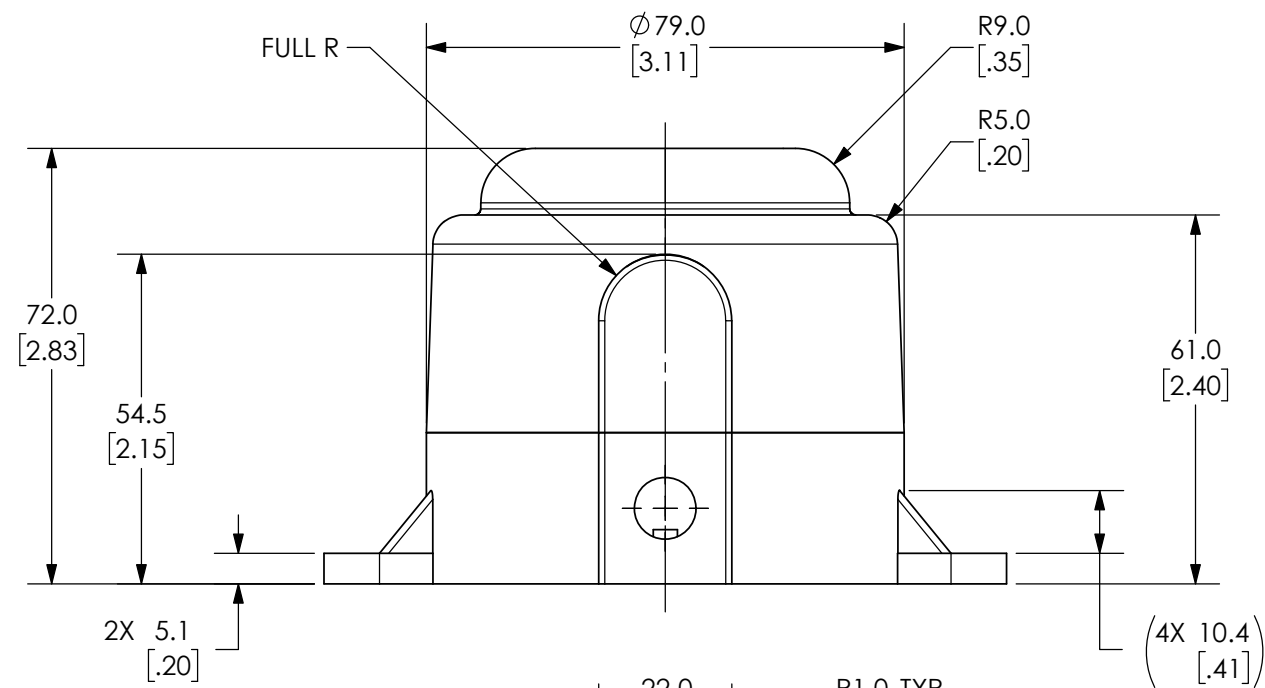
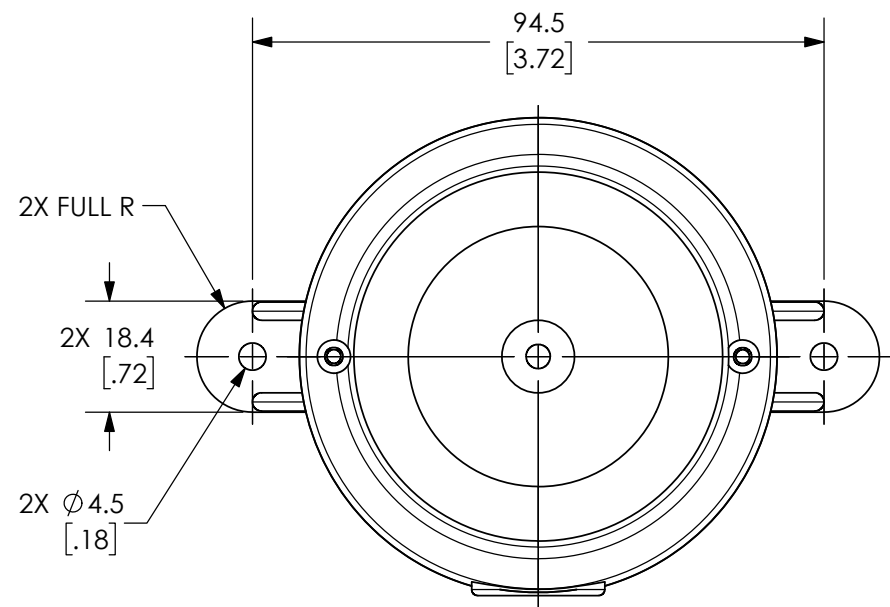


ZONE	REV.	REVISION DESCRIPTION	ECN NO.	DATE
	A	INITIAL RELEASE FOR PRODUCTION; TB	ECO-432691	19-MAY-2021



DIMENSIONS ARE IN MILLIMETERS [INCHES]

FOR REFERENCE ONLY, CHECK LATEST REVISION BEFORE USE.
PARTS MADE TO THIS PRINT MUST CONFORM TO E9898 REV. E.

DRAWN
T. BREITENBACH

DATE 19-MAY-2021

ENGINEER
MARTIN SIME

DATE 19-MAY-2021

APPROVED

DATE

APPROVED

DATE

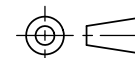
SENSATA TECHNOLOGIES PROPRIETARY AND CONFIDENTIAL. NEITHER THIS PRINT NOR THE INFORMATION CONTAINED HEREON IS TO BE USED AGAINST THE INTERESTS OF SENSATA TECHNOLOGIES OR AGAINST THE INTERESTS OF ANY OF ITS AFFILIATED COMPANIES OR WHOLLY OWNED SUBSIDIARIES.

INTERPRET DIMENSIONING AND TOLERANCING PER ASME Y14.5-2009. UNLESS OTHERWISE SPECIFIED DIMENSIONS ARE IN MILLIMETERS.
TOLERANCES

DECIMALS ANGLES
+0.5/-0.3 ±0.2°

DO NOT
SCALE
DRAWING

THIRD ANGLE
PROJECTION



529 PLEASANT STREET
P.O. BOX 2964
ATTLEBORO, MA 02703

TITLE
**INDUSTRIAL WIRELESS
4-20mA TRANSMITTER
ENVELOPE DRAWING**

SIZE	DWG NO.	REV.
A3	IWMAT-ENV	A

SCALE NTS SOLIDWORKS SHEET 1 OF 1

2 DEVICE:

PROJECT: 1