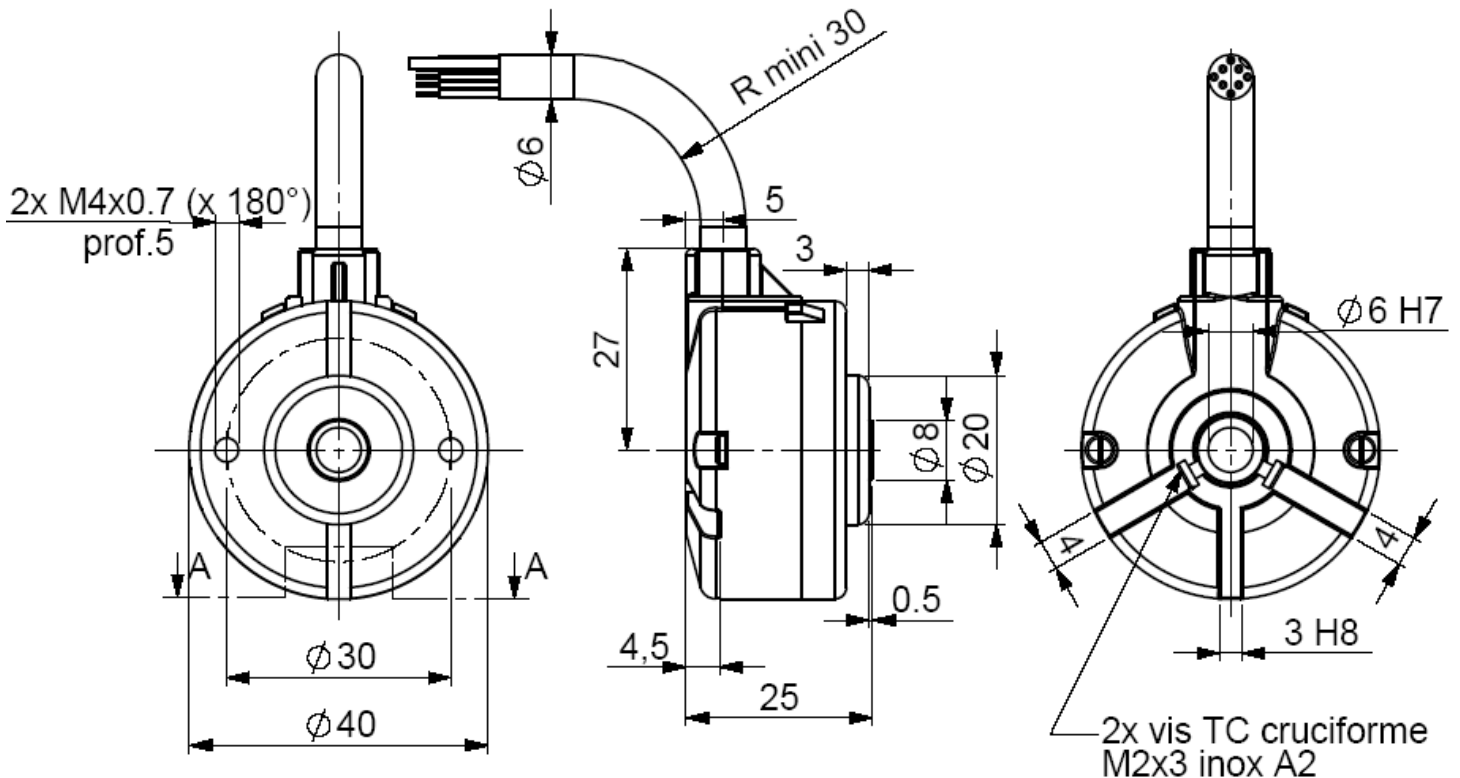


INCREMENTAL ENCODERS, GZT4 RANGE

- With its 40mm size and a 6mm through shaft, this encoder characterizes itself by its strength and robustness of the mechanical and opto-electronic parts, it's the most compact truly industrial encoder with a through shaft
- Coded discs in synthetic material are used: stable and unbreakable (Polyfass™, Mylar-Myca composite)
- Available resolution up to 1 024 counts per turn (GHT4 option, up to 2 500 counts per turn)
- Universal electronics 5 to 24Vdc available
- Application fields : micro-robotics, printing machines, low power DC motors, shears...



GZT4 connection G3R (radial cable)

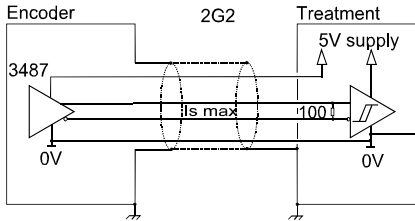


CHARACTERISTICS

Material	Axe : aluminium	EN 50082-2 (1995)
	Capot : zamac	EN 50081-1 (1992)
	Embase : zamac	
Bearings	688 serie	
Maximum loads	Axial : 10 N	
	Radial : 20 N	
Shaft inertia	$\leq 0,1 \cdot 10^{-6} \text{ kg} \cdot \text{m}^2$	
Torque	$\leq 2 \cdot 10^{-3} \text{ N} \cdot \text{m}$	
Permissible max. speed	12 000 min^{-1}	
Continuous max. speed	9 000 min^{-1}	
Encoder weight (approx.)	0,240 kg	
EMC		EN 50082-2 (1995)
Isolation		1 000 Veff
Operating temperature		- 20 ... + 80 °C (encoder T°)
Storage temperature		- 40 ... + 80 °C
Protection CEI60529 (1989)		IP 52
Shocks (EN60068-2-27)		$\leq 300 \text{ m} \cdot \text{s}^{-2}$ (during 11 ms)
Vibrations (EN60068-2-6)		$\leq 100 \text{ m} \cdot \text{s}^{-2}$ (10 ... 500 Hz)
Torque (shaft pressure screw)		Nominal : 0,3N.m ; break : 0,5N.m
Theoretical mechanical lifetime 10^9 turns (F_{axial} / F_{radial})		
5 N / 10 N : 260		10 N / 20 N : 33

INCREMENTAL ENCODERS, GZT4 RANGE

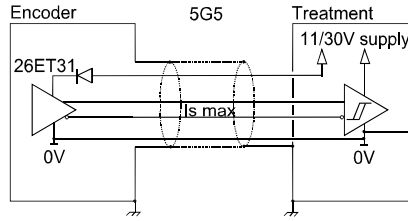
OUTPUT ELECTRONIC / POWER SUPPLY



2G2 electronic (100kHz)

Supply : 5Vdc \pm 10%

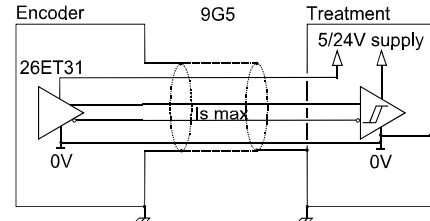
Cons. without load : 100mA max
Current per channel : 40mA max
0 max ($I_s=20mA$) : $V_{ol} = 0,5Vdc$
1 min ($I_s=20mA$) : $V_{oh} = 2,5Vdc$



5G5 electronic (100kHz)

Supply : 11 to 30Vdc

Cons. without load: 75mA max
Current per channel : 40mA max
0 max ($I_s=20mA$) : $V_{ol} = 0,5Vdc$
1 min ($I_s=20mA$) : $V_{oh} = V_{cc}-3Vdc$



9G5 electronic (100kHz)

Supply : 5 to 24Vdc

Cons. without load : 75mA max
Current per channel : 40mA max
0 max ($I_s=20mA$) : $V_{ol} = 0,5Vdc$
1 min ($I_s=20mA$) : $V_{oh} = V_{cc}-3Vdc$

Protection against short circuits of the electronics : 5G5 and 9G5

Protection against inversion of polarity for the electronics : 5G5

STANDARD CONNECTION

		-	+	A	B	0	A/	B/	0/	Ground
G3	PVC cable, 8 wires 8230/020	WH white	BN brown	GN green	YE yellow	GY grey	PK pink	BU blue	RD red	Connector body

ORDERING REFERENCE (Contact the factory for special versions , ex: special flanges, electronics, connections...)

	Shaft \varnothing	Available electronics		Output signals	Resolution	Connectique	Connection orientation
GZT4	06 : 6mm	2G2, 5G5, 9G5		9:A,A/,B,B/,0,0/ (0 gated A & B)	1 024 max Nota : 2500 with the GHT4	G3 : PVC cable 8 wires	Example : R020: radial cable 2m
	04: 4mm (option)	Supply	Output stage				
	I4 : 6.35 mm (option)	2 : 5Vdc	G2 : 5Vdc RS422 G5 : push-pull	A:A,A/,B,B/,0,0/ (0 gated A) N:A,A/,B,B/,0,0/ (0 ungated)			
		5 : 11 to 30Vdc 9 : 5 to 24Vdc					
Ex:GZT4	06 //	5	G5	9 //	1 024 //	G3	R020

Available resolutions : 1 2 4 5 8 10 16 20 24 25 27 30 36 40 50 60 64 90 100 120 125 128 144 150
170 180 200 250 300 360 400 500 512 600 720 800 1000 1024

Made in France