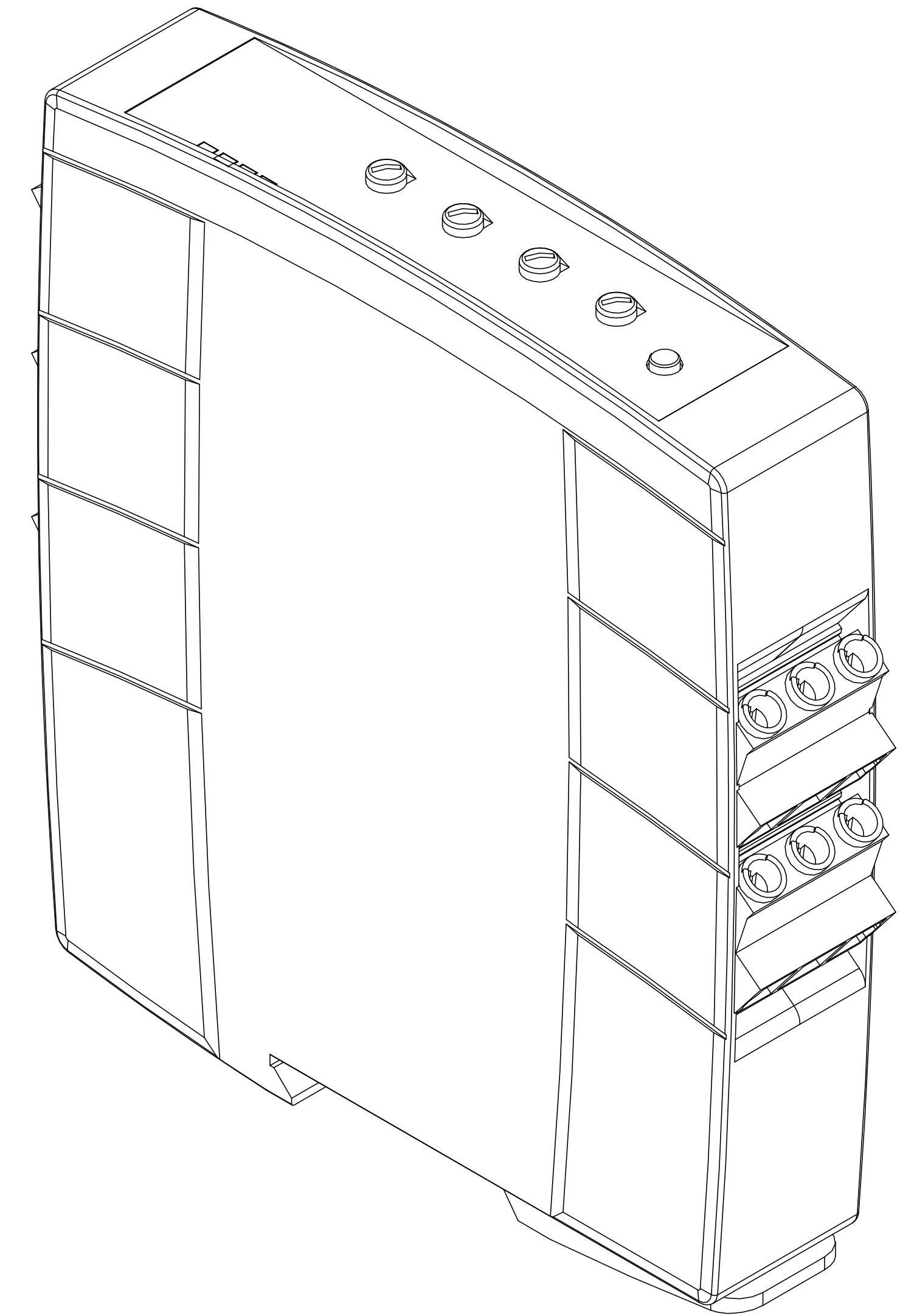
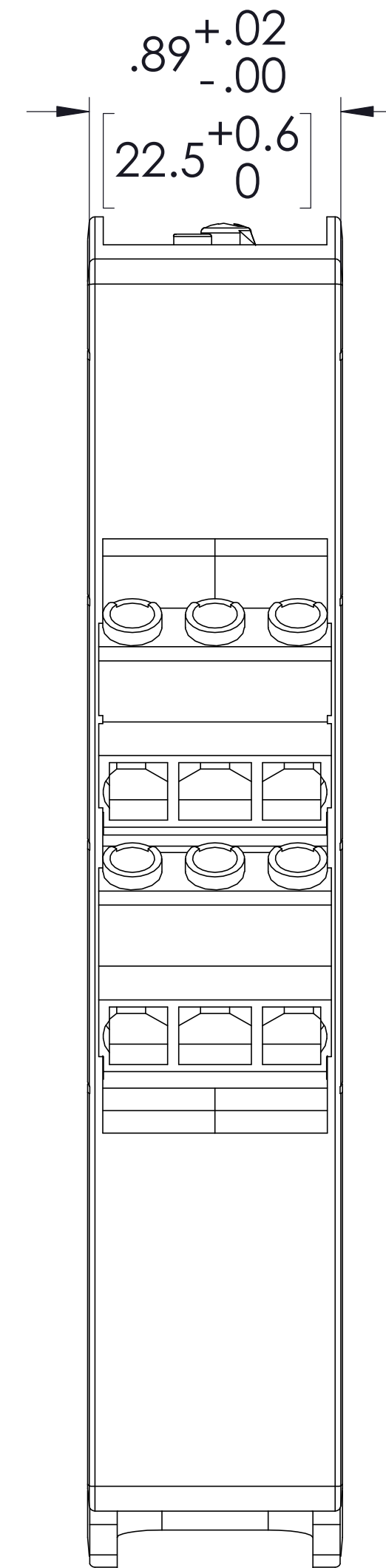
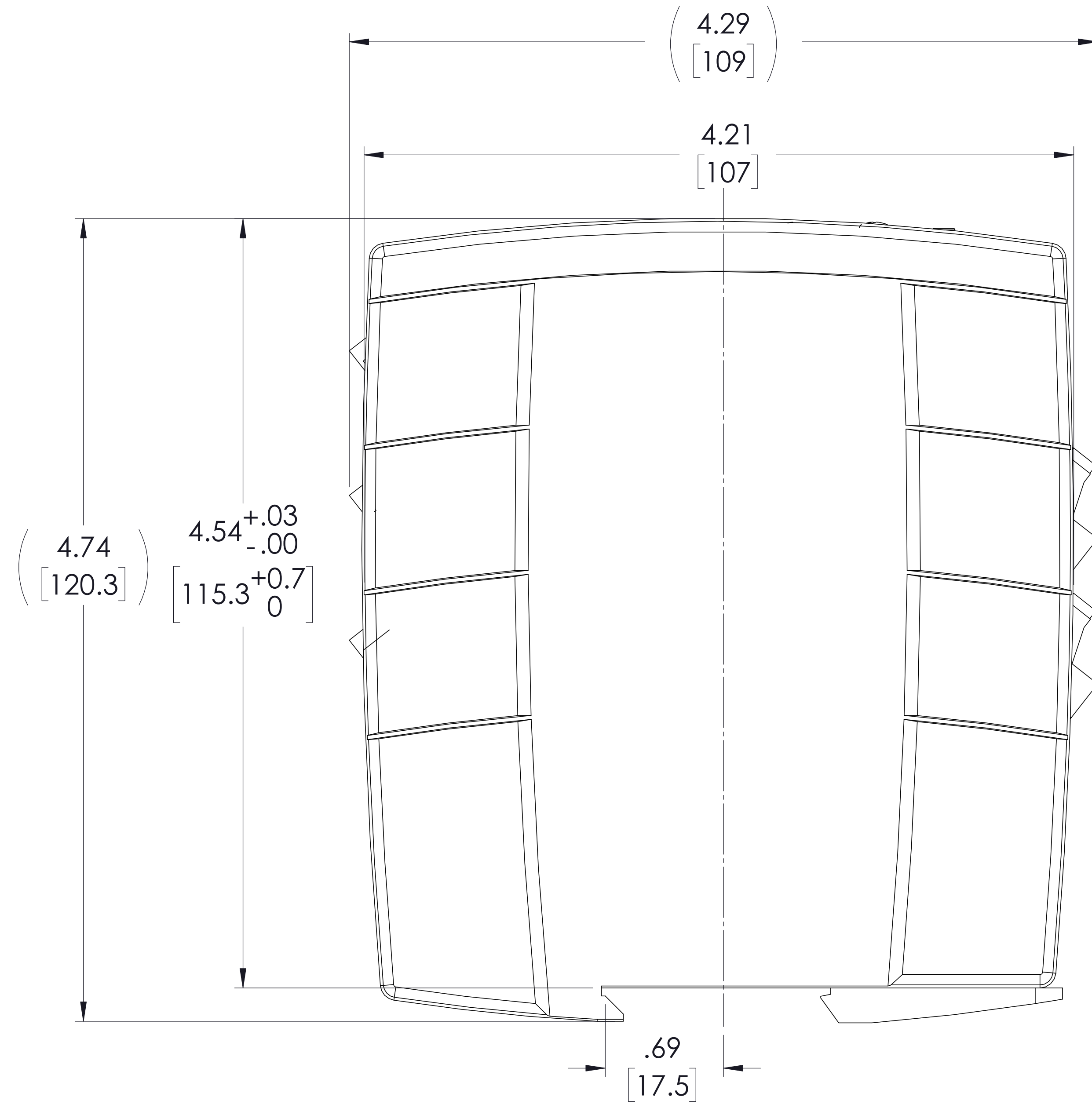


INPUT TERMINAL SLOT SCREW (12 PLACES)

OUTPUT TERMINAL SLOT SCREW (6 PLACES)



UNCONTROLLED COPY

FIRST ISSUE DATE : 06/15/2018
 DRAWN : MGD
 APPROVED : MRC
 DATE : 06/15/2018

SENSATA TECHNOLOGIES PROPRIETARY AND CONFIDENTIAL. NEITHER THIS PRINT NOR THE INFORMATION CONTAINED HEREON IS TO BE USED AGAINST THE INTERESTS OF SENSATA TECHNOLOGIES OR AGAINST THE INTEREST OF ANY OF ITS AFFILIATED COMPANIES OR WHOLLY OWNED SUBSIDIARIES.



Av. Producción # 2181 Parque Industrial International Tijuana, Tijuana, B.C. 22425

Crydom

ECN:

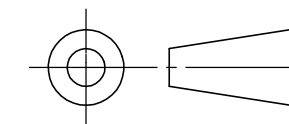
UNLESS OTHERWISE SPECIFIED DIMENSIONS ARE IN MILLIMETERS [INCHES] AND ARE INTENDED AS NOMINAL. SEE PRODUCT SPECIFICATION FOR MORE DETAILS.

TITLE DRMS48D92
 DRMS48D93

DATE:

DO NOT SCALE DRAWING

THIRD ANGLE PROJECTION



SIZE DWG NO.

B

REV.

1

SCALE 1:2 SOLIDWORKS SHEET 1 OF 1