



| AXM5S

ANALOG SINGLE-TURN ENCODERS, STAINLESS STEEL 316 - IP69K



Features

- Adapted to food and beverage – pharmaceutical - river – offshore applications
- Stainless steel encoder (316) with hygienic design
- Flanges and shaft adapted to the market needs
- Robustness and excellent resistance to shocks / vibrations
- Double ball bearings with safety lock system
- High protection level IP69K
- Power supply from 10 to 30Vdc
- Available output interfaces : 0..10V, 0.5..4.5V, 4..20mA
- High performances in temperature –40°C to +85°C
- Magnetic technology, Hall effect contactless
- Available resolution up to 12 bits per revolution
- Adapted axial cable gland output



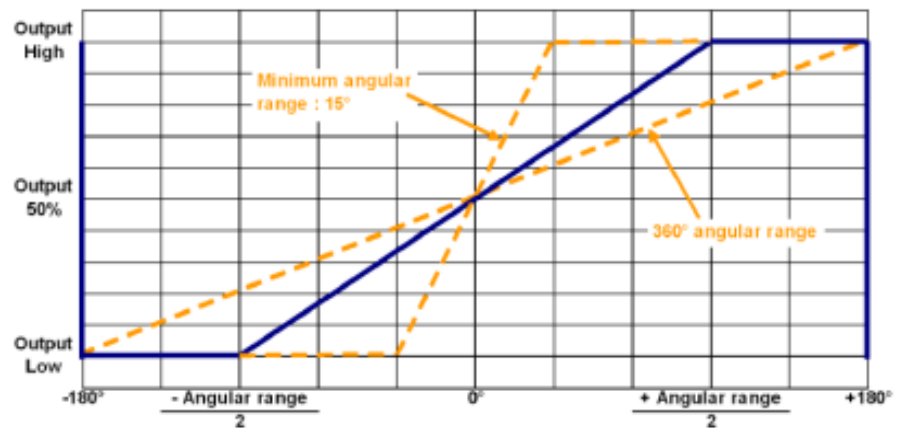
MECHANICAL CHARACTERISTICS

Material	Shaft: Stainless steel 316
	Cover: Stainless steel 316
	Body: Stainless steel 316
Bearings	Double ball bearings
Maximal Loads	Axial : 250 N
	Radial : 500 N
Theoretical mechanical lifetime 10⁹ turns (Faxial / Fradial)	50 N / 100 N : 12
	250 N / 500 N : 0,5
Continuous max. speed	3 000 min ⁻¹
Shaft inertia	≤ 1,2.10 ⁻⁶ kg.m ²
Torque	≤ 90.10 ⁻³ N.m
Shocks (EN60068-2-27)	≤ 2000m.s ⁻² (during 6 ms)
Vibrations (EN60068-2-6)	≤ 200m.s ⁻² (55 ... 2 000 Hz)
Encoder weight (approx.)	0,600 kg
Protection(EN 60529)	IP 69K
EMC	EN 61000-6-4, EN 61000-6-2
Isolation	500 Veff
Operating temperature	- 40... + 85 °C (T° encoder)
Storage temperature	- 40... + 85 °C

ELECTRICAL DATA

Power Supply	5V or 10–30Vdc or 15-30Vdc
Consumption With Load	< 40mA (at 24Vdc)
Resolution	12 bits
Accuracy	± 0.3 % (on 360°)
Repeatability	± 0.1 % (on 360°)
Introduction	< 1 s
Response Time	< 10 ms (5L2 & 3L1 electronic) < 1ms (other electronics)
Advised Load	>10kOhms (Voltage output) < 500 Ohms (current output)

OUTPUT STAGE



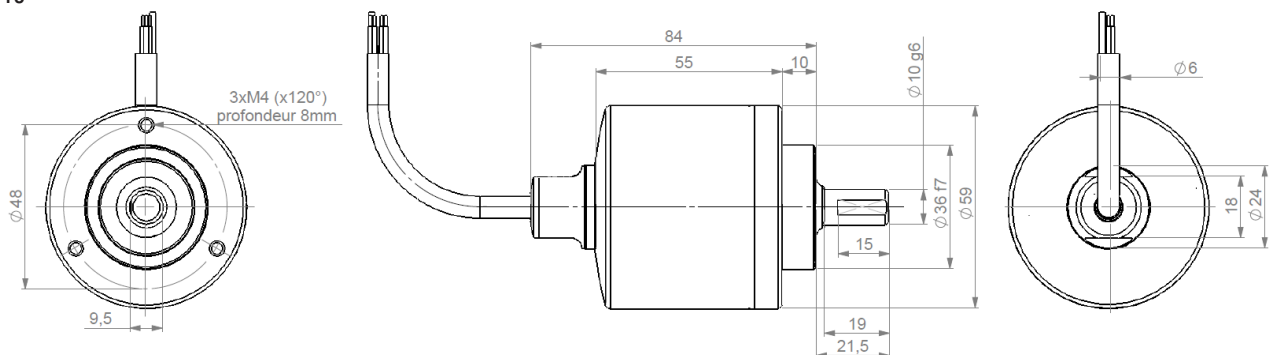
CONNECTION

Type	Cable	+Vcc	0V	Analog output	Ground
L3	3 wire cable PVC 8230/022	Brown BN	White WH	Green GN	General shielding

DIMENSIONS

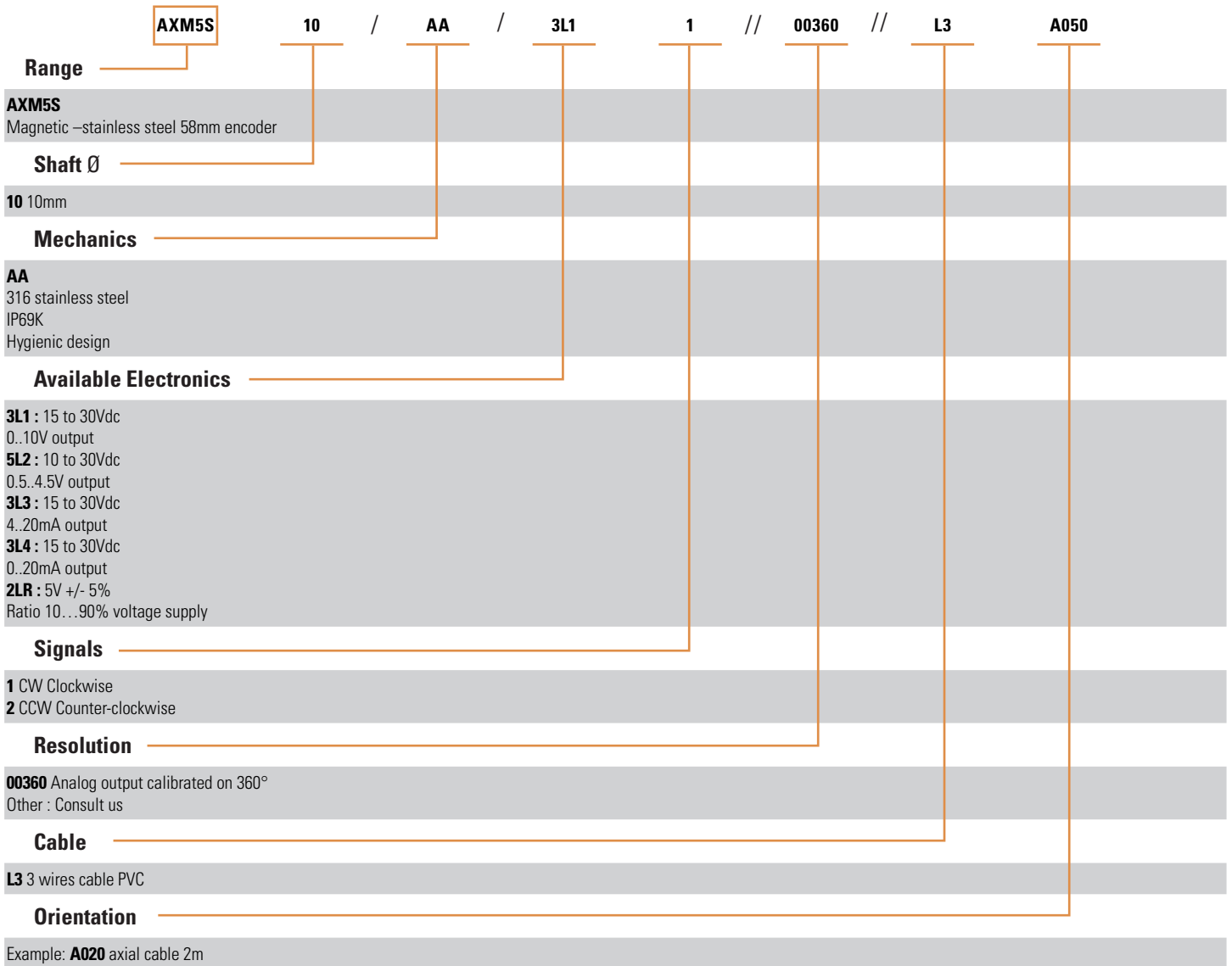
All dimensions are in mm

AXM5S10





(Contact the factory for special versions, ex : connections...)





Sensata Technologies, Inc. ("Sensata") data sheets are solely intended to assist designers ("Buyers") who are developing systems that incorporate Sensata products (also referred to herein as "components"). Buyer understands and agrees that Buyer remains responsible for using its independent analysis, evaluation and judgment in designing Buyer's systems and products. Sensata data sheets have been created using standard laboratory conditions and engineering practices. Sensata has not conducted any testing other than that specifically described in the published documentation for a particular data sheet. Sensata may make corrections, enhancements, improvements and other changes to its data sheets or components without notice.

Buyers are authorized to use Sensata data sheets with the Sensata component(s) identified in each particular data sheet. HOWEVER, NO OTHER LICENSE, EXPRESS OR IMPLIED, BY ESTOPPEL OR OTHERWISE TO ANY OTHER SENSATA INTELLECTUAL PROPERTY RIGHT, AND NO LICENSE TO ANY THIRD PARTY TECHNOLOGY OR INTELLECTUAL PROPERTY RIGHT, IS GRANTED HEREIN. SENSATA DATA SHEETS ARE PROVIDED "AS IS". SENSATA MAKES NO WARRANTIES OR REPRESENTATIONS WITH REGARD TO THE DATA SHEETS OR USE OF THE DATA SHEETS, EXPRESS, IMPLIED OR STATUTORY, INCLUDING ACCURACY OR COMPLETENESS. SENSATA DISCLAIMS ANY WARRANTY OF TITLE AND ANY IMPLIED WARRANTIES OF MERCHANTABILITY, FITNESS FOR A PARTICULAR PURPOSE, QUIET ENJOYMENT, QUIET POSSESSION, AND NON-INFRINGEMENT OF ANY THIRD PARTY INTELLECTUAL PROPERTY RIGHTS WITH REGARD TO SENSATA DATA SHEETS OR USE THEREOF.

All products are sold subject to Sensata's terms and conditions of sale supplied at www.sensata.com SENSATA ASSUMES NO LIABILITY FOR APPLICATIONS ASSISTANCE OR THE DESIGN OF BUYERS' PRODUCTS. BUYER ACKNOWLEDGES AND AGREES THAT IT IS SOLELY RESPONSIBLE FOR COMPLIANCE WITH ALL LEGAL, REGULATORY AND SAFETY-RELATED REQUIREMENTS CONCERNING ITS PRODUCTS, AND ANY USE OF SENSATA COMPONENTS IN ITS APPLICATIONS, NOTWITHSTANDING ANY APPLICATIONS-RELATED INFORMATION OR SUPPORT THAT MAY BE PROVIDED BY SENSATA.

Mailing Address: Sensata Technologies, Inc., 529 Pleasant Street, Attleboro, MA 02703, USA.

CONTACT US

Americas

+1 (800) 350 2727

sales.beisensors@sensata.com

Europe, Middle East & Africa

+33 (3) 88 20 8080

position-info.eu@sensata.com

Asia Pacific

sales.isasia@list.sensata.com

China +86 (21) 2306 1500

Japan +81 (45) 277 7117

Korea +82 (31) 601 2004

India +91 (80) 67920890

Rest of Asia +886 (2) 27602006
ext 2808