

# AJN

Joystick

## Introduction

The AJN Joystick from Sensata Technologies provides the reliability and long life required in demanding environmental conditions such as heavy duty industrial applications. Building on Sensata’s industry leading Hall-effect joystick technology, the AJN joystick combines flexibility with high mechanical strength. This strength and the unique sensing design make the joystick ideal for rigorous use in rugged, harsh environments offering best durability. The AJN Joystick is designed to accommodate standard and custom designed multifunction grips.



## Main Features

- Contactless sensing Hall-effect technology
- Redundant Sensors
- Life greater than 10 million cycles (without detent option)
- 2 sensors per axis
- Integrated temperature compensation
- Environmentally sealed electronics
- Potted electronics
- Standard or customized multifunction grips
- Designed for armrest and enclosure applications (AJ45)

## Custom Modifications

- Output characteristics
- Operating force
- Lever deflection angle
- Gate pattern
- Tactile and Latching Detents
- Multifunction grips

## SPECIFICATIONS

### Electrical

### Variant

<b>Supply Ratings</b> - System Voltage - Voltage Range - Maximum Current		12V or 24V dc 9V ... 32V dc 75 mA at 24V dc
<b>PWM Output</b>	PW2	500 Hz ± 80 Hz
<b>CAN Bus Output</b>	J19	SAE J1939
<b>Other electrical Characteristics</b>	EMI	100 V/m Redundant Sensors

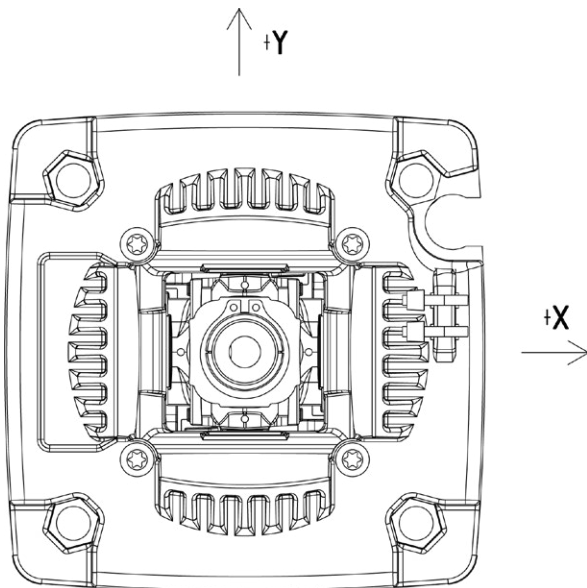
## Mechanical

<b>Life</b>	> 10 million cycles
<b>Detent Life</b>	3 million cycles
<b>Operating temperature</b>	- 40°C to 85°C
<b>Storage temperature</b>	- 50°C to 90°C
<b>Horizontal maximum load (165mm from pivot point)</b>	1000 N (250lbs)
<b>Vertical load maximum</b>	1110 N (250lbs)
<b>Max Torque (Z-axis)</b>	25 Nm (18,5 ft lb)
<b>Protection Level</b>	IP 67
<b>Electronics Protection</b>	Fully potted
<b>Lever deflection X/Y max</b>	$\pm 23^\circ/\pm 25^\circ$ (A)
<b>Center null zone</b>	$\pm 1.5^\circ$
<b>Weight</b>	<860g
<b>Housing</b>	Plastic
<b>Boot</b>	EPDM (black)
<b>Vehicle Connection</b>	Molded in DT04-6P

## DIMENSIONS

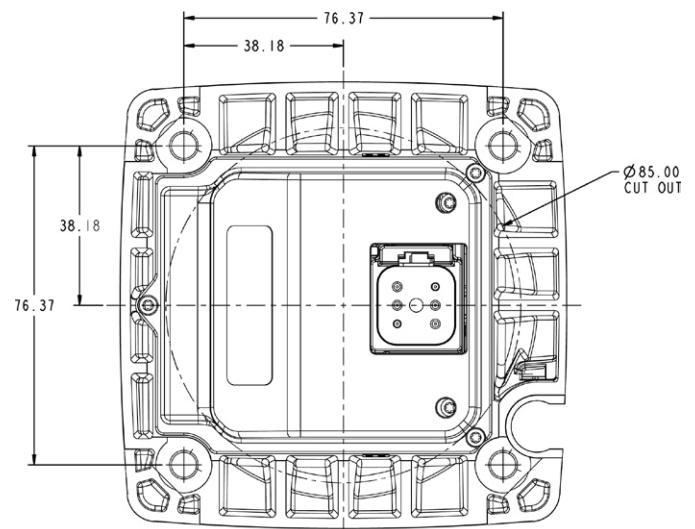
### AJ42 & AJ44

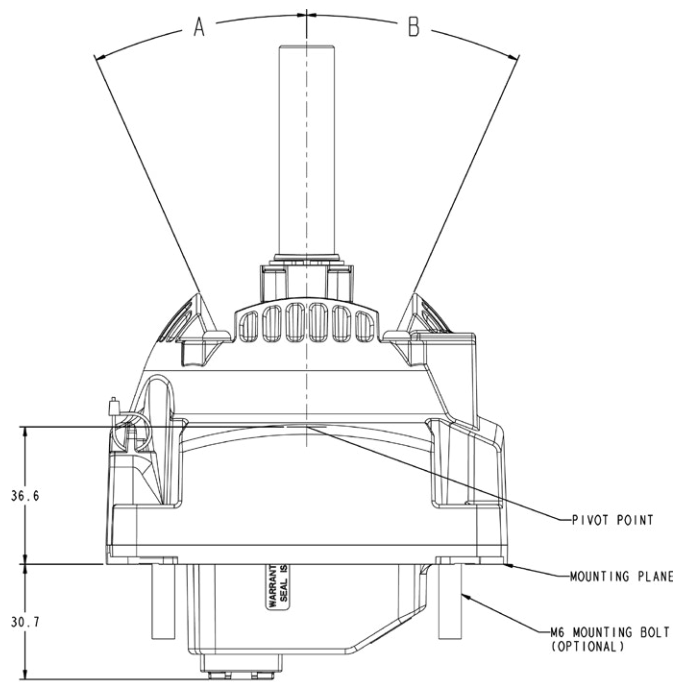
with Square Gate (X and Y can be Swapped)



### Install Dimensions

(for AJ42 and AJ44 Joysticks)





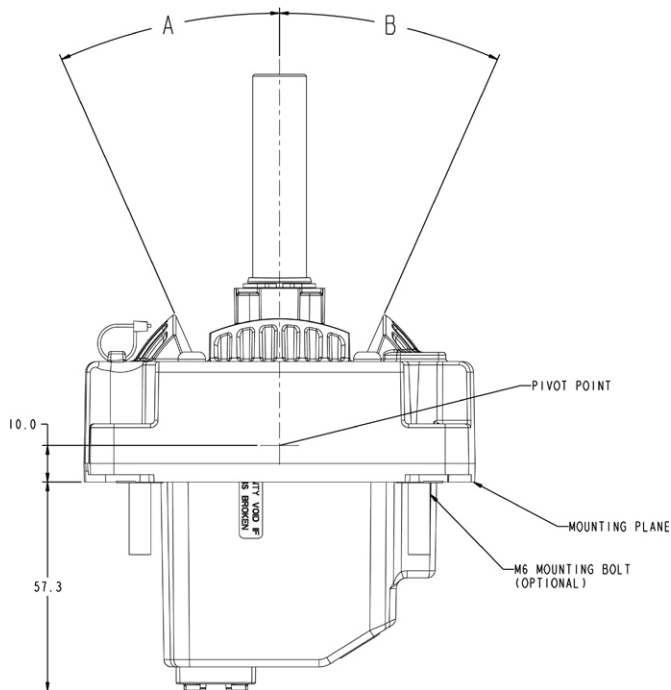
AJ42 VARIANT

## AJ42 VARIANT

AJ42 TOP GATE OPTIONS				
GATE OPTION	ANGLE X, A	ANGLE X, B	ANGLE Y, A	ANGLE Y, B
-001	23°	23°	25°	25°
-002	20°	20°	20°	20°
-003	0°	0°	20°	20°
THESE ARE STANDARD OPTIONS. CUSTOM ANGLES POSSIBLE.				

## AJ44 VARIANT

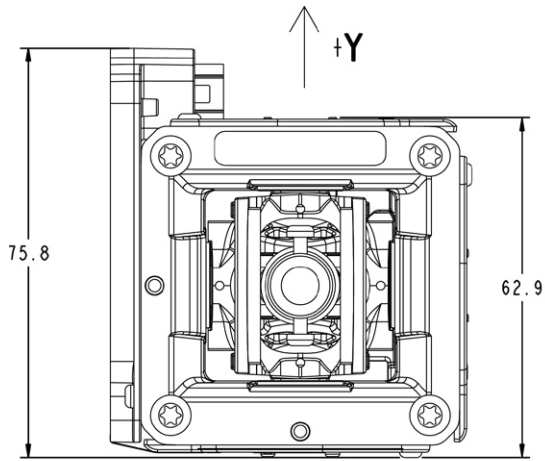
AJ44 TOP GATE OPTIONS				
GATE OPTION	ANGLE X, A	ANGLE X, B	ANGLE Y, A	ANGLE Y, B
1-001	23°	23°	25°	25°
1-002	16°	16°	16°	16°
1-003	20°	20°	20°	20°
1-004	0°	0°	20°	20°
4-001	14°	14°	17°	17°
4-002	17°	17°	17°	17°
THESE ARE STANDARD OPTIONS. CUSTOM ANGLES POSSIBLE.				



AJ44 VARIANT

### AJ45

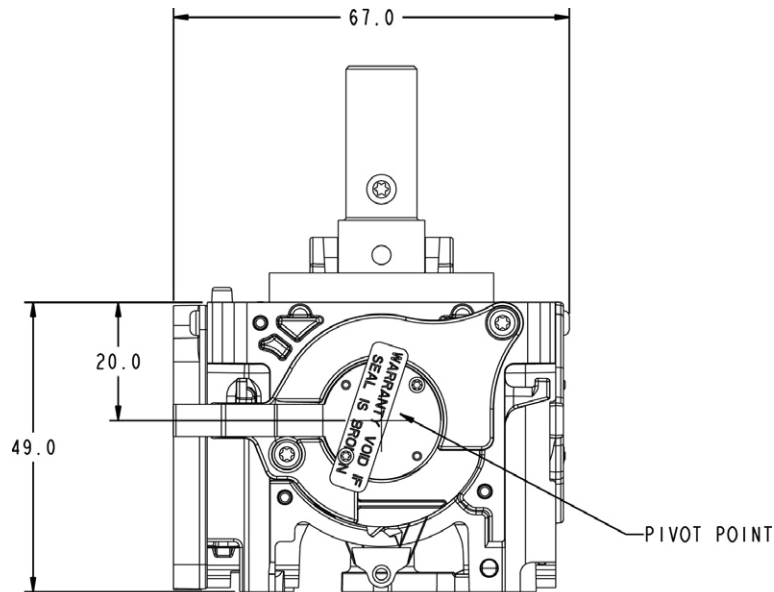
No gate shown. Gate can be configured based on application.  
(X and Y can be Swapped)



### Special Notes

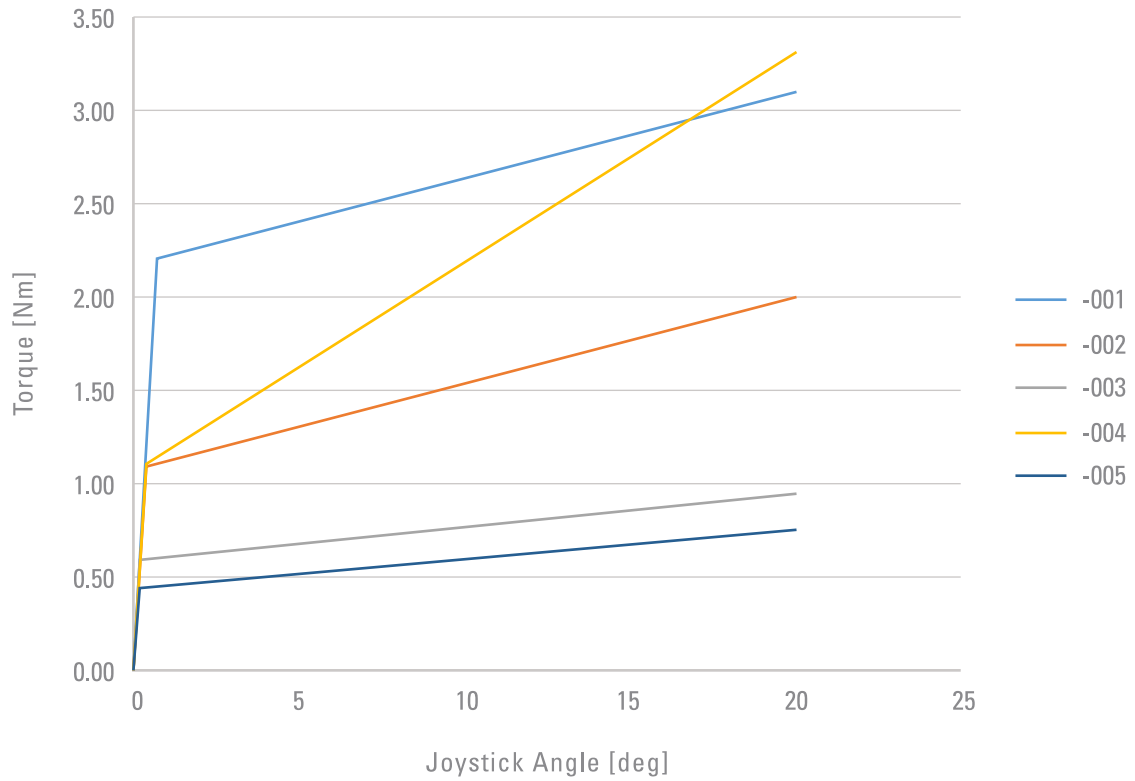
- AJ45 Gates can be configured to meet most travel angles and patterns
- Mounting patterned determined by the gate required
- Maximum travel is 23° in the X-axis and 25° in the Y-axis
- Used in Armrest and Enclosure applications
- Accepts most shaft and handle types
- Boot design dependent on handle selected

AJ45 VARIANT



AJ45 VARIANT

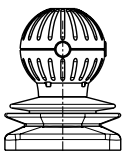
**AJN**  
(Spring Torque Curves)



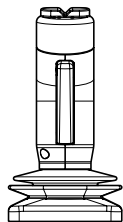
**MULTIFUNCTION GRIPS**

for details see MFG datasheet

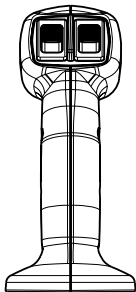
MFG Ball



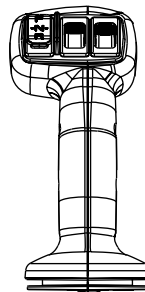
MFG S2



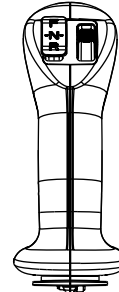
MFG S4



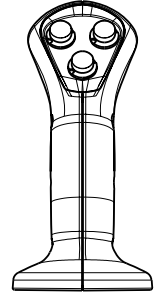
MFG S4E



MFG S6



MFG S7





## ORDERING OPTIONS

This information is to assist the user in identifying the right joystick base. There are many options available for AJN and specific details on these options will need to come from the Sensata EOC “Electronic Operator Control” team directly. While this information does not fully define a joystick base, it will go a long way to helping the EOC team define the best option for the user.

### Top Gate Type

Selecting the top gate will require knowing what mounting method that is desired. The options are mounting from the top side and mounting from the underside.

**AJ42:** Top mount only. Standard travel angles listed.

**AJ44:** Top mount only. Standard travel angles listed.

**AJ45:** Top mount or bottom mount. Very customizable.

### Pivot Point

In relation to mounting plane: Knowing the height of the grip required by the customer can help with this selection

**AJ42:** Pivot is 36.6mm above mounting plain.

**AJ44:** Pivot is 10.0mm above mounting plain.

**AJ45:** Depends on mounting method.

### Shaft Type

Handle dependent. Very customizable

### Spring Force

Four springs are used for AJN products. Combining spring forces to get a slightly lower or higher force is an option. Standard spring torques listed.

### Detent

Information can be requested for specific activation angles and detent type.

### Output Options

**AJ42:** CAN, PWM

**AJ44:** CAN, PWM

**AJ45:** CAN, Analog

### Input Options

**AJ42:** 12V, 24V

**AJ44:** 12V, 24V

**AJ45:** 5V, 12V

### Grip to Base Communication

**AJ42:** Typically around shaft wire routing but some thru shaft wire options are possible.

**AJ44:** Typically around shaft wire routing but some thru shaft wire options are possible.

**AJ45:** Typically around shaft wire routing but some thru shaft wire options are possible.



## GENERAL NOTES

<sup>(A)</sup> *less is available on request*

Sensata Technologies, Inc. (“Sensata”) data sheets are solely intended to assist designers (“Buyers”) who are developing systems that incorporate Sensata products (also referred to herein as “components”). Buyer understands and agrees that Buyer remains responsible for using its independent analysis, evaluation and judgment in designing Buyer’s systems and products. Sensata data sheets have been created using standard laboratory conditions and engineering practices. Sensata has not conducted any testing other than that specifically described in the published documentation for a particular data sheet. Sensata may make corrections, enhancements, improvements and other changes to its data sheets or components without notice.

Buyers are authorized to use Sensata data sheets with the Sensata component(s) identified in each particular data sheet. HOWEVER, NO OTHER LICENSE, EXPRESS OR IMPLIED, BY ESTOPPEL OR OTHERWISE TO ANY OTHER SENSATA INTELLECTUAL PROPERTY RIGHT, AND NO LICENSE TO ANY THIRD PARTY TECHNOLOGY OR INTELLECTUAL PROPERTY RIGHT, IS GRANTED HEREIN. SENSATA DATA SHEETS ARE PROVIDED “AS IS”. SENSATA MAKES NO WARRANTIES OR REPRESENTATIONS WITH REGARD TO THE DATA SHEETS OR USE OF THE DATA SHEETS, EXPRESS, IMPLIED OR STATUTORY, INCLUDING ACCURACY OR COMPLETENESS. SENSATA DISCLAIMS ANY WARRANTY OF TITLE AND ANY IMPLIED WARRANTIES OF MERCHANTABILITY, FITNESS FOR A PARTICULAR PURPOSE, QUIET ENJOYMENT, QUIET POSSESSION, AND NON-INFRINGEMENT OF ANY THIRD PARTY INTELLECTUAL PROPERTY RIGHTS WITH REGARD TO SENSATA DATA SHEETS OR USE THEREOF.

All products are sold subject to Sensata’s terms and conditions of sale supplied at [www.sensata.com](http://www.sensata.com) SENSATA ASSUMES NO LIABILITY FOR APPLICATIONS ASSISTANCE OR THE DESIGN OF BUYERS’ PRODUCTS. BUYER ACKNOWLEDGES AND AGREES THAT IT IS SOLELY RESPONSIBLE FOR COMPLIANCE WITH ALL LEGAL, REGULATORY AND SAFETY-RELATED REQUIREMENTS CONCERNING ITS PRODUCTS, AND ANY USE OF SENSATA COMPONENTS IN ITS APPLICATIONS, NOTWITHSTANDING ANY APPLICATIONS-RELATED INFORMATION OR SUPPORT THAT MAY BE PROVIDED BY SENSATA.

Mailing Address: Sensata Technologies, Inc., 529 Pleasant Street, Attleboro, MA 02703, USA.

## CONTACT US

### Regional head offices:

#### United States of America

Sensata Technologies

Attleboro, MA

**Phone:** 508-236-3800

**E-mail:** [support@sensata.com](mailto:support@sensata.com)

#### Netherlands

Sensata Technologies Holland B.V.

Hengelo

**Phone:** +31 74 357 8000

**E-mail:** [support@sensata.com](mailto:support@sensata.com)

#### China

Sensata Technologies China Co., Ltd.

Shanghai

**Phone:** +8621 2306 1500

**E-mail:** [support@sensata.com](mailto:support@sensata.com)