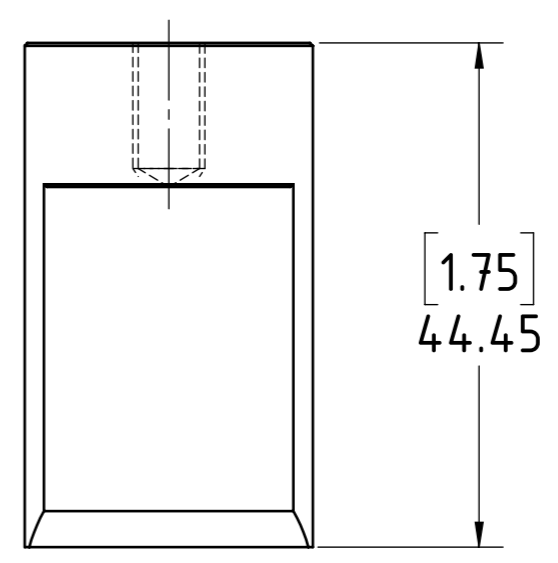
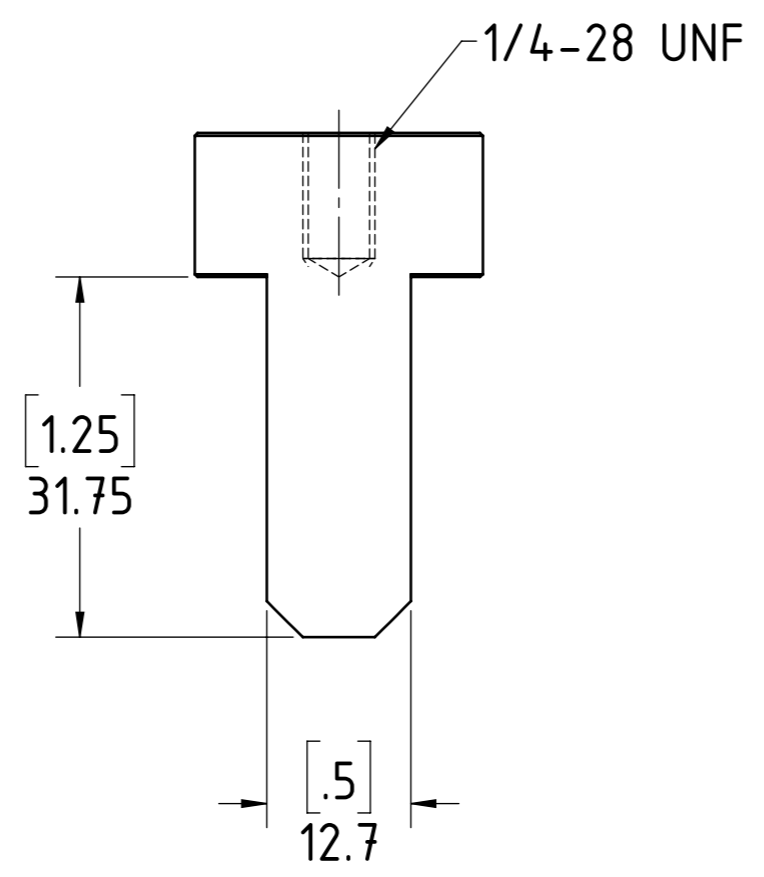
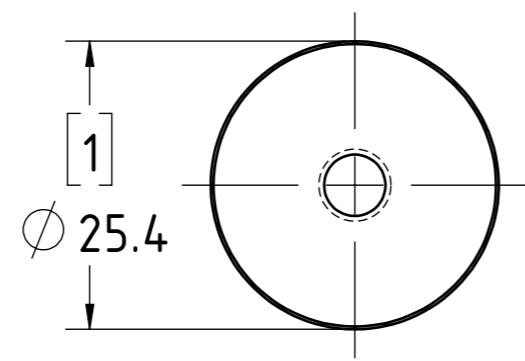




REVISION TABLE						
REV.	ZONE	DESCRIPTION	DRAFTER	ECO No	DATE	REQUESTOR
1		1st ISSUE	H. Bouwhuis	ECO-476454	28-Jan-2022	D. Matthews



FOR REFERENCE ONLY, CHECK LATEST REVISION BEFORE USE.		 7 COBHAM RD WIMBORNE BH21 7PE UNITED KINGDOM												
FIRST ISSUE DATE 28-JAN-2022	NEITHER THIS PRINT NOR THE INFORMATION CONTAINED HEREON IS TO BE USED AGAINST THE INTERESTS OF SENSATA TECHNOLOGIES OR AGAINST THE INTERESTS OF ANY OF ITS AFFILIATED COMPANIES OR WHOLLY OWNED SUBSIDIARIES.													
FIRST DRAWN BY D. Matthews	ENGINEER D. Matthews													
ENGINEER D. Matthews	ENGINEERING SUPERVISOR M. Falco													
ENGINEERING SUPERVISOR M. Falco	PRODUCT GROUP -													
PRODUCT GROUP -	MATERIAL AISI 316 Stainless Steel													
MATERIAL AISI 316 Stainless Steel	GENERAL TOLERANCES UNLESS OTHERWISE SPECIFIED: <table border="0"> <tr> <td>LINEAR</td> <td>ANGLES</td> <td>EDGES</td> </tr> <tr> <td>0 UP TO 6: ±0.1</td> <td rowspan="3">±3°</td> <td rowspan="3">±0.2</td> </tr> <tr> <td>OVER 6 UP TO 30: ±0.2</td> </tr> <tr> <td>OVER 30 UP TO 120: ±0.3</td> </tr> <tr> <td>OVER 120 UP TO -: ±0.5</td> <td colspan="2">acc. ISO 13715:2000</td> </tr> </table>			LINEAR	ANGLES	EDGES	0 UP TO 6: ±0.1	±3°	±0.2	OVER 6 UP TO 30: ±0.2	OVER 30 UP TO 120: ±0.3	OVER 120 UP TO -: ±0.5	acc. ISO 13715:2000	
LINEAR	ANGLES	EDGES												
0 UP TO 6: ±0.1	±3°	±0.2												
OVER 6 UP TO 30: ±0.2														
OVER 30 UP TO 120: ±0.3														
OVER 120 UP TO -: ±0.5	acc. ISO 13715:2000													
GEN. ROUGHNESS Ra 3.2 acc. ISO 1302:2002	ESTIMATED WEIGHT g.	DO NOT SCALE DRAWING	THIRD ANGLE PROJECTION 											
		DRAWING SIZE A3	TITLE 6VW SHORT FIN MOUNT											
		SCALE 2:1	DRAWING STATUS: EXPERIMENTAL DRAWING NUMBER T-605682-016-ENV											
		SOLIDWORKS	REV 1											
		SHEET 1 OF 1												

REVISION SYMBOL: ○

PROJECT NO: