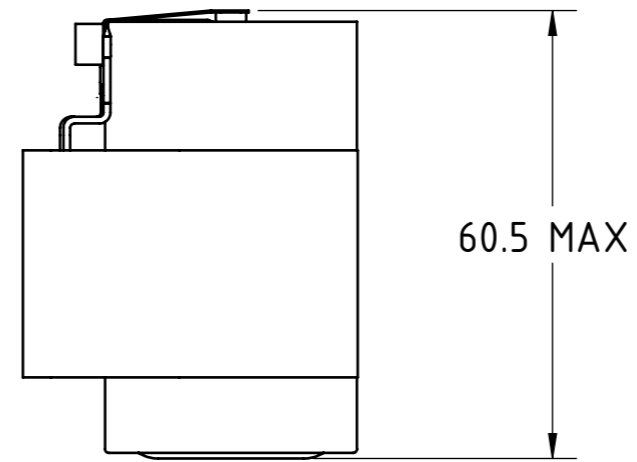
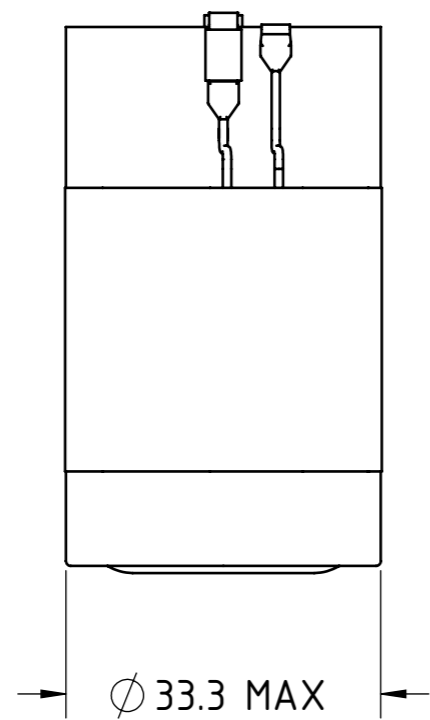
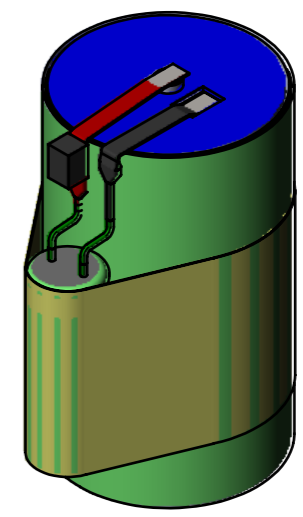
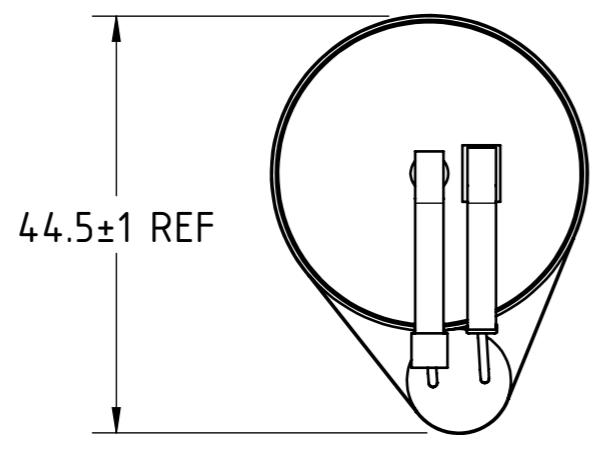


REVISION TABLE						
REV.	ZONE	DESCRIPTION	DRAFTER	ECO No	DATE	REQUESTOR
1		1st ISSUE	H. Bouwhuis	ECO-476702	19-Jan-2022	D. Matthews



ALL DIMENSIONS ON DRAWING ARE ONLY FOR REFERENCE

FOR REFERENCE ONLY, CHECK LATEST REVISION BEFORE USE.				7 COBHAM RD WIMBORNE BH21 7PE UNITED KINGDOM												
FIRST ISSUE DATE 19-KAN-2022	NEITHER THIS PRINT NOR THE INFORMATION CONTAINED HEREON IS TO BE USED AGAINST THE INTERESTS OF SENSATA TECHNOLOGIES OR AGAINST THE INTERESTS OF ANY OF ITS AFFILIATED COMPANIES OR WHOLLY OWNED SUBSIDIARIES.		TITLE BATTERY/SUPER CAPACITOR ASSEMBLY WITH FUSE FOR VENTED DEVICE													
FIRST DRAWN BY H. Bouwhuis	ENGINEER D. Matthews	ENGINEERING SUPERVISOR M. Falco	INTERPRET DIMENSIONING AND TOLERANCING PER BS 8888:2011 UNLESS OTHERWISE SPECIFIED DIMENSIONS ARE IN MILLIMETERS.													
PRODUCT GROUP IloT	MATERIAL N.A.		GENERAL TOLERANCES UNLESS OTHERWISE SPECIFIED: <table border="1"> <tr> <th>LINEAR</th> <th>ANGLES</th> <th>EDGES</th> </tr> <tr> <td>0 UP TO 6: ±0.1</td> <td rowspan="3">±3°</td> <td rowspan="3">L0.2 L0.2</td> </tr> <tr> <td>OVER 6 UP TO 30: ±0.2</td> </tr> <tr> <td>OVER 30 UP TO 120: ±0.3</td> </tr> <tr> <td>OVER 120 UP TO -: ±0.5</td> <td colspan="2">acc. ISO 13715:2000</td> </tr> </table>			LINEAR	ANGLES	EDGES	0 UP TO 6: ±0.1	±3°	L0.2 L0.2	OVER 6 UP TO 30: ±0.2	OVER 30 UP TO 120: ±0.3	OVER 120 UP TO -: ±0.5	acc. ISO 13715:2000	
LINEAR	ANGLES	EDGES														
0 UP TO 6: ±0.1	±3°	L0.2 L0.2														
OVER 6 UP TO 30: ±0.2																
OVER 30 UP TO 120: ±0.3																
OVER 120 UP TO -: ±0.5	acc. ISO 13715:2000															
GEN. ROUGHNESS Ra 3.2 acc. ISO 1302:2002	ESTIMATED WEIGHT g.	DO NOT SCALE DRAWING	THIRD ANGLE PROJECTION	DRAWING SIZE A3	DRAWING STATUS: EXPERIMENTAL											
DRAWING NUMBER T-605682-018-ENV			SCALE 1.5:1	SOLIDWORKS	REV 1											
SHEET 1 OF 1			PROJECT NO:													

REVISION SYMBOL: ○