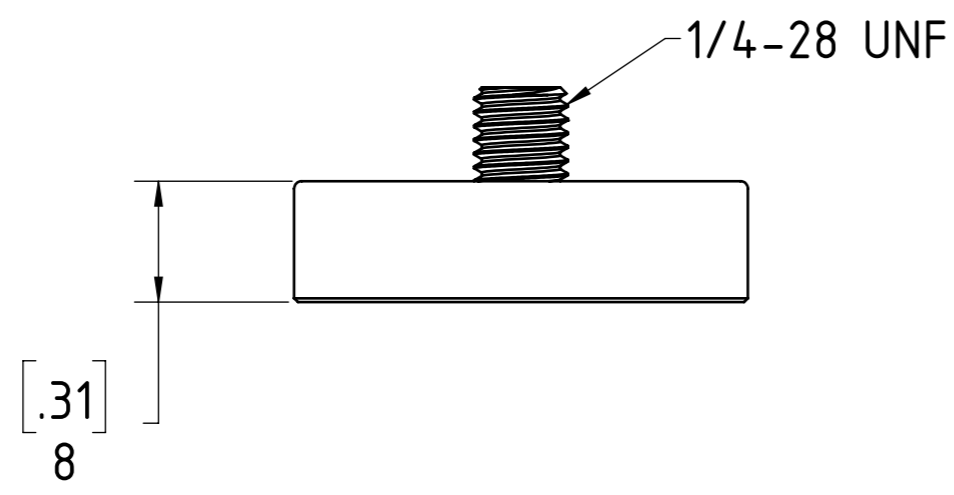
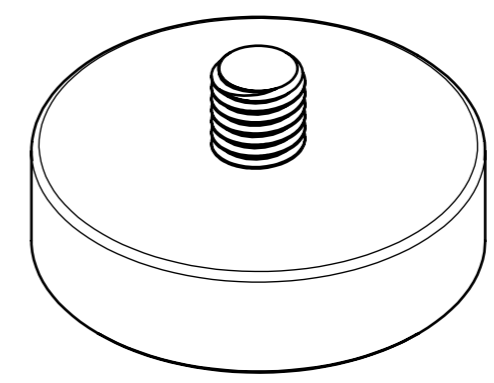
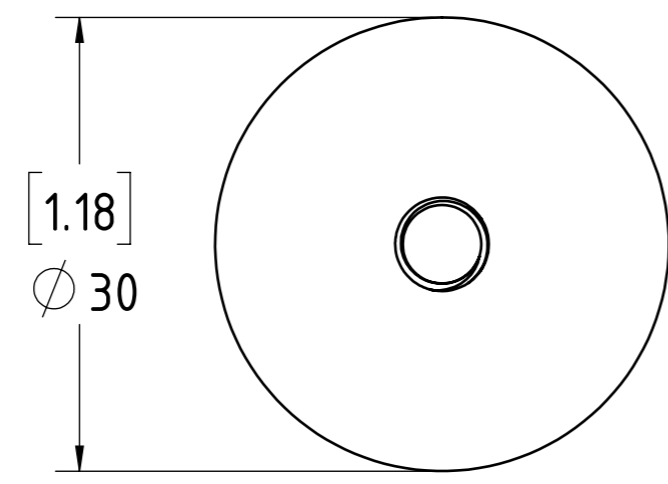



REVISION TABLE						
REV.	ZONE	DESCRIPTION	DRAFTER	ECO No	DATE	REQUESTOR
1		1st ISSUE	H. Bouwhuis	ECO-476702	19-Jan-2022	D. Matthews



ALL DIMENSIONS ON DRAWING ARE ONLY FOR REFERENCE

FOR REFERENCE ONLY, CHECK LATEST REVISION BEFORE USE.				7 COBHAM RD WIMBORNE BH21 7PE UNITED KINGDOM	
FIRST ISSUE DATE 19-JAN-2022	NEITHER THIS PRINT NOR THE INFORMATION CONTAINED HEREON IS TO BE USED AGAINST THE INTERESTS OF SENSATA TECHNOLOGIES OR AGAINST THE INTERESTS OF ANY OF ITS AFFILIATED COMPANIES OR WHOLLY OWNED SUBSIDIARIES		TITLE MAGNET BASE MOUNT		
FIRST DRAWN BY H. Bouwhuis	ENGINEER D. Matthews		DRAWING STATUS: EXPERIMENTAL		
ENGINEERING SUPERVISOR M. Falco	PRODUCT GROUP IloT		DRAWING NUMBER T-605681-002-ENV		
MATERIAL Material <not specified>	GENERAL TOLERANCES UNLESS OTHERWISE SPECIFIED: LINEAR ANGLES EDGES 0 UP TO 6: ±0.1 ±3° L0.2 L0.2 OVER 6 UP TO 30: ±0.2 OVER 30 UP TO 120: ±0.3 OVER 120 UP TO -: ±0.5 acc. ISO 13715:2000		REV 1		
GEN. ROUGHNESS Ra 3.2 acc. ISO 1302:2002	MEASURED WEIGHT g.	DO NOT SCALE DRAWING	THIRD ANGLE PROJECTION	DRAWING SIZE A3	SCALE 2:1 SOLIDWORKS SHEET 1 OF 1

REVISION SYMBOL: ○

PROJECT NO: