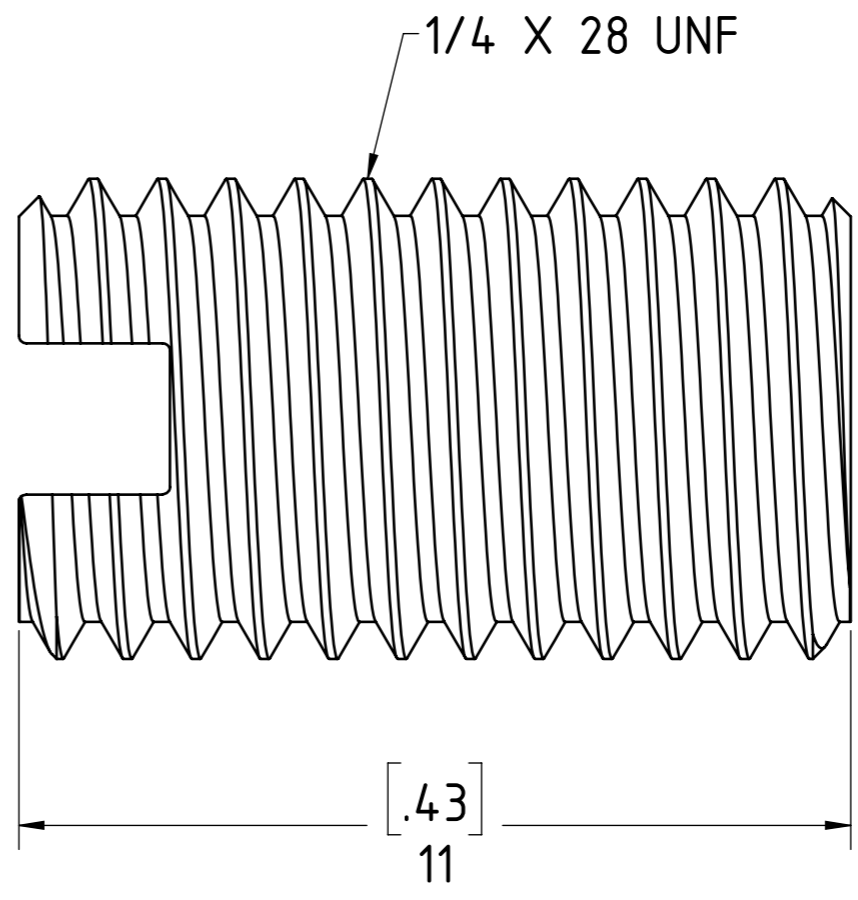
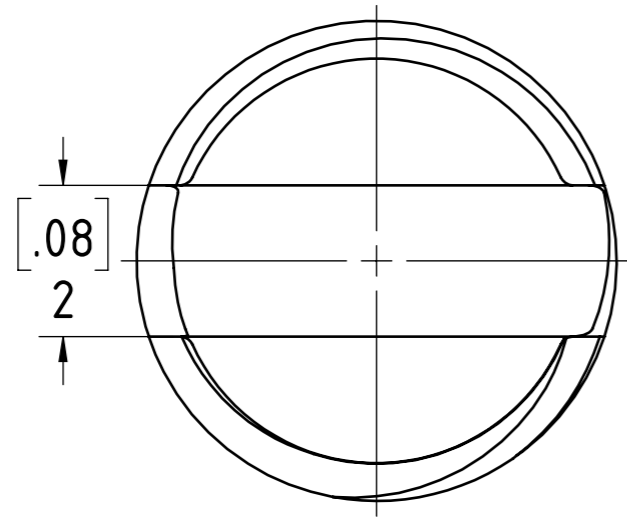

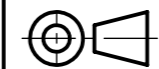


REVISION TABLE						
REV.	ZONE	DESCRIPTION	DRAFTER	ECO No	DATE	REQUESTOR
2		2nd ISSUE	H. Bouwhuis	ECO-464644	10-Feb-2022	D. Matthews



ALL DIMENSIONS ON DRAWING ARE ONLY FOR REFERENCE

FOR REFERENCE ONLY, CHECK LATEST REVISION BEFORE USE.		 7 COBHAM RD WIMBORNE BH21 7PE UNITED KINGDOM												
FIRST ISSUE DATE 19-JAN-2022	NEITHER THIS PRINT NOR THE INFORMATION CONTAINED HEREON IS TO BE USED AGAINST THE INTERESTS OF SENSATA TECHNOLOGIES OR AGAINST THE INTERESTS OF ANY OF ITS AFFILIATED COMPANIES OR WHOLLY OWNED SUBSIDIARIES.													
FIRST DRAWN BY D. Matthews	ENGINEER D. Matthews													
ENGINEER D. Matthews	ENGINEERING SUPERVISOR M. Falco													
ENGINEERING SUPERVISOR M. Falco	PRODUCT GROUP IloT													
PRODUCT GROUP IloT	MATERIAL AISI 316 Stainless Steel Bar (SS)													
MATERIAL AISI 316 Stainless Steel Bar (SS)	GENERAL TOLERANCES UNLESS OTHERWISE SPECIFIED: <table border="1"> <thead> <tr> <th>LINEAR</th> <th>ANGLES</th> <th>EDGES</th> </tr> </thead> <tbody> <tr> <td>0 UP TO 6: ± 0.1</td> <td rowspan="3">$\pm 3^\circ$</td> <td rowspan="3">± 0.2</td> </tr> <tr> <td>OVER 6 UP TO 30: ± 0.2</td> </tr> <tr> <td>OVER 30 UP TO 120: ± 0.3</td> </tr> <tr> <td>OVER 120 UP TO -: ± 0.5</td> <td></td> <td></td> </tr> </tbody> </table> acc. ISO 13715:2000			LINEAR	ANGLES	EDGES	0 UP TO 6: ± 0.1	$\pm 3^\circ$	± 0.2	OVER 6 UP TO 30: ± 0.2	OVER 30 UP TO 120: ± 0.3	OVER 120 UP TO -: ± 0.5		
LINEAR	ANGLES	EDGES												
0 UP TO 6: ± 0.1	$\pm 3^\circ$	± 0.2												
OVER 6 UP TO 30: ± 0.2														
OVER 30 UP TO 120: ± 0.3														
OVER 120 UP TO -: ± 0.5														
GEN. ROUGHNESS $\sqrt{Ra\ 3.2}$ acc. ISO 1302:2002	ESTIMATED WEIGHT 2.14 g.	DO NOT SCALE DRAWING	THIRD ANGLE PROJECTION  DRAWING SIZE A3											
DRAWING STATUS: EXPERIMENTAL		TITLE 1/4-28UNF STUD												
DRAWING NUMBER T-605682-011-ENV		REV 2												
SCALE 5:1		SOLIDWORKS SHEET 1 OF 1												