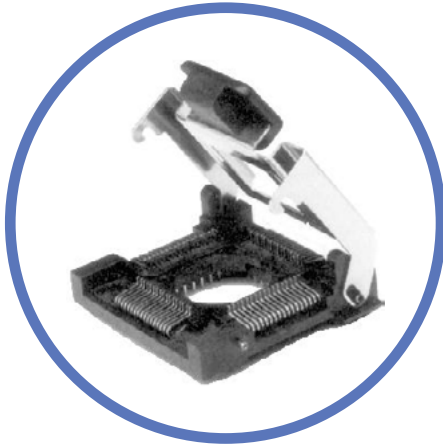


625 SERIES

FOR 2" X 2" QUAD PACK CARRIERS



Features

- Low profile... less than .780" off printed circuit board
- Latch hold-down prevents carrier bowing at elevated temperatures
- Non-corrosive, stainless steel latch
- Four 0.125" diameter mounting holes for bolting socket to burn-in board
- For temperatures up to 150°C

MATERIALS & SPECIFICATIONS

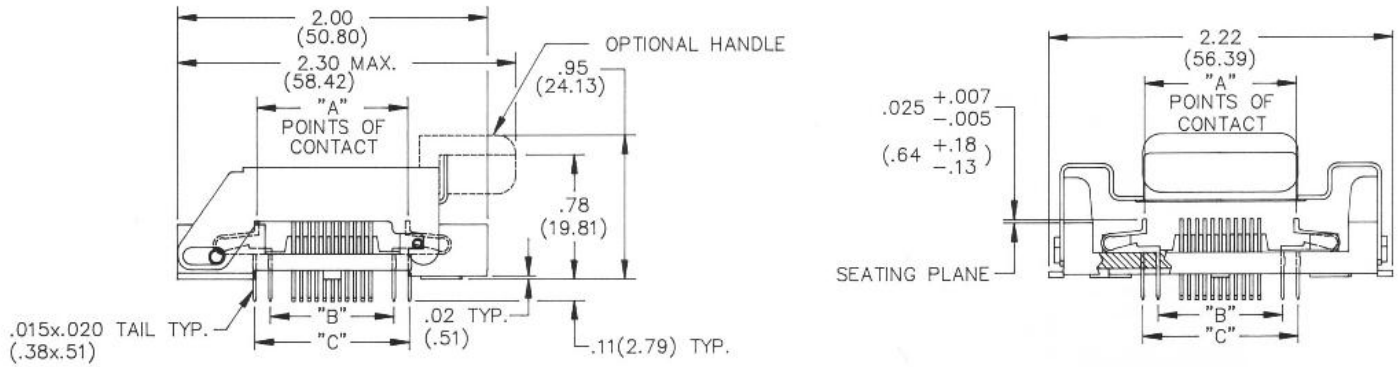
Socket Body	UL 94V-0 rated high temperature material
Contacts	Beryllium Copper Alloy
Contact Plating	30 microinches of gold over entire contact, over 50 microinches of nickel (84 lead)

Part Number	Pin Count	Pitch e (mm)	Contact Material	Contact Plating	Dimensions (inches (mm))		
					A	B	C
625-0442315	44	.050 (1.27)	BeCu	Au/Ni	.976 (20.32)	.800 (20.32)	1.000 (25.40)
625-0682315	68	.050 (1.27)	BeCu	Au/Ni	1.276 (32.41)	1.100 (27.94)	1.300 (33.02)
625-0840815	84	.050 (1.27)	BeCu	Au/Ni	1.421 (32.09)	1.200 (30.48)	1.400 (35.56)



DIMENSIONS AND DIAGRAMS

Dimensions in Inches (mm)



Revised 02/06/18

Sensata Technologies, Inc. ("Sensata") data sheets are solely intended to assist designers ("Buyers") who are developing systems that incorporate Sensata products (also referred to herein as "components"). Buyer understands and agrees that Buyer remains responsible for using its independent analysis, evaluation and judgment in designing Buyer's systems and products. Sensata data sheets have been created using standard laboratory conditions and engineering practices. Sensata has not conducted any testing other than that specifically described in the published documentation for a particular data sheet. Sensata may make corrections, enhancements, improvements and other changes to its data sheets or components without notice.

Buyers are authorized to use Sensata data sheets with the Sensata component(s) identified in each particular data sheet. HOWEVER, NO OTHER LICENSE, EXPRESS OR IMPLIED, BY ESTOPPEL OR OTHERWISE TO ANY OTHER SENSATA INTELLECTUAL PROPERTY RIGHT, AND NO LICENSE TO ANY THIRD PARTY TECHNOLOGY OR INTELLECTUAL PROPERTY RIGHT, IS GRANTED HEREIN. SENSATA DATA SHEETS ARE PROVIDED "AS IS". SENSATA MAKES NO WARRANTIES OR REPRESENTATIONS WITH REGARD TO THE DATA SHEETS OR USE OF THE DATA SHEETS, EXPRESS, IMPLIED OR STATUTORY, INCLUDING ACCURACY OR COMPLETENESS. SENSATA DISCLAIMS ANY WARRANTY OF TITLE AND ANY IMPLIED WARRANTIES OF MERCHANTABILITY, FITNESS FOR A PARTICULAR PURPOSE, QUIET ENJOYMENT, QUIET POSSESSION, AND NON-INFRINGEMENT OF ANY THIRD PARTY INTELLECTUAL PROPERTY RIGHTS WITH REGARD TO SENSATA DATA SHEETS OR USE THEREOF.

All products are sold subject to Sensata's terms and conditions of sale supplied at www.sensata.com SENSATA ASSUMES NO LIABILITY FOR APPLICATIONS ASSISTANCE OR THE DESIGN OF BUYERS' PRODUCTS. BUYER ACKNOWLEDGES AND AGREES THAT IT IS SOLELY RESPONSIBLE FOR COMPLIANCE WITH ALL LEGAL, REGULATORY AND SAFETY-RELATED REQUIREMENTS CONCERNING ITS PRODUCTS, AND ANY USE OF SENSATA COMPONENTS IN ITS APPLICATIONS, NOTWITHSTANDING ANY APPLICATIONS-RELATED INFORMATION OR SUPPORT THAT MAY BE PROVIDED BY SENSATA.

Mailing Address: Sensata Technologies, Inc., 529 Pleasant Street, Attleboro, MA 02703, USA.

CONTACT US

Americas

480.682.6148 or 480.681.6116